

Part Number	Length "A"	Width "B"
STT-3036-1	30.00"	36.00"
STT-3636-1	36.00"	36.00"
STT-4236-1	42.00"	36.00"
STT-4836-1	48.00"	36.00"
STT-5436-1	54.00"	36.00"
STT-6036-1	60.00"	36.00"
STT-6636-1	66.00"	36.00"
STT-7236-1	72.00"	36.00"
STT-8436-1	84.00"	36.00"
STT-9636-1	96.00"	36.00"

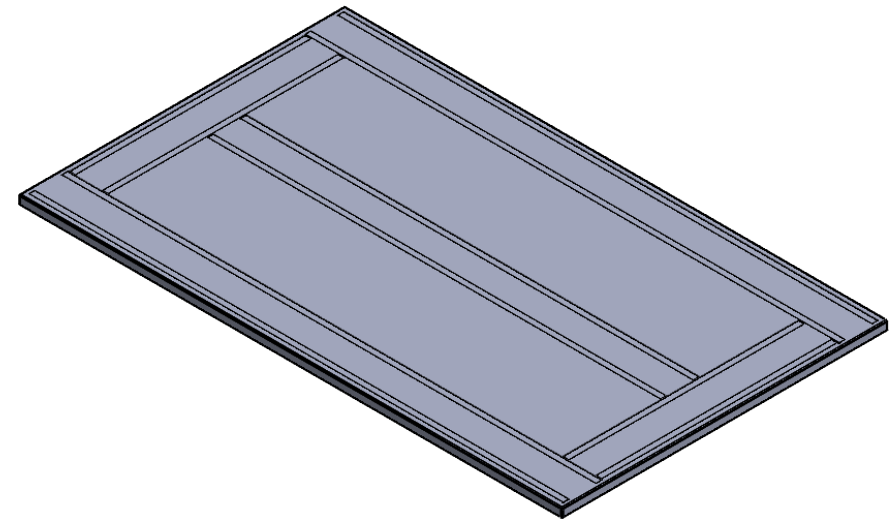
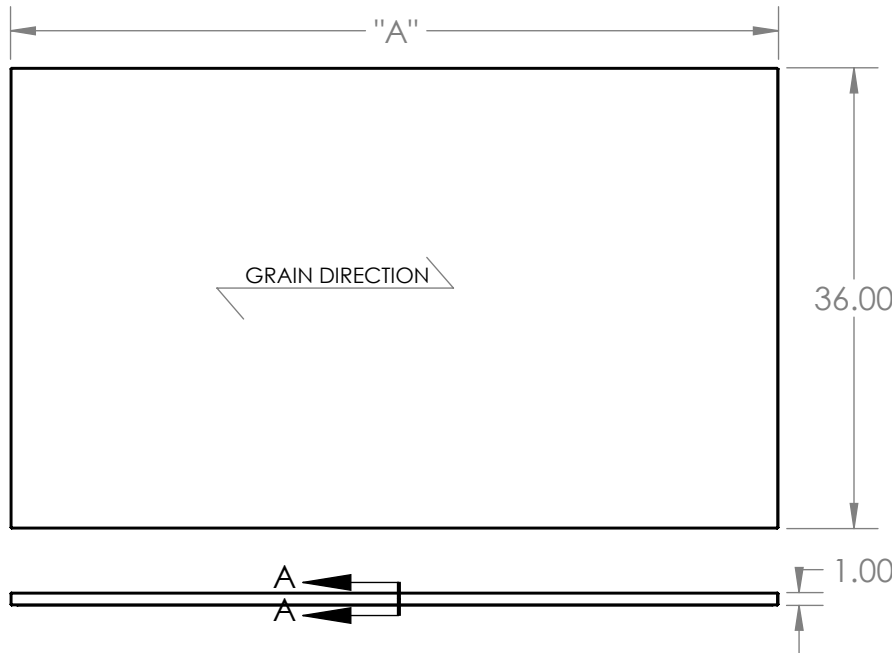
### "STT" Stainless Table Tops

Flat stainless steel top used as a table top or countertop.

### Features

- "A" L x 36" W x 1" d
- Constructed from 16 gauge, type 304 stainless steel, polished to a #4 finish
- Hat Channels spot welded to bottom for support
- Sound Deadener applied

### Product Dimensions



SECTION A-A  
SCALE 1 : 15

**UNLESS OTHERWISE SPECIFIED:**

DIMENSIONS ARE IN INCHES  
TOLERANCES:  
ANGULAR ±2.50°  
ONE-PLACE ±0.5  
TWO-PLACE ±0.13

**PROPRIETARY AND CONFIDENTIAL**

THE INFORMATION CONTAINED IN THIS DRAWING IS THE SOLE PROPERTY OF INTER DYNE SYSTEMS. ANY REPRODUCTION IN PART OR AS A WHOLE WITHOUT THE WRITTEN PERMISSION OF INTER DYNE SYSTEMS IS PROHIBITED.

REV.	REVISION DESCRIPTION	DRAWN	CHECKED	DATE	COMMENTS:
A	SUBMITTALS SENT	ASR		--/--/--	HAT CHANNEL AND SOUND DEADENER TO BE APPLIED IN FINAL ASSEMBLY
					<b>QTY: N/A</b>



**INTER DYNE  
SYSTEMS, INC**

676 E. Ellis Rd., Norton Shores, MI 49441  
Phone: 231-799-8760 Fax: 231-799-9690

**PART NO.**

**STT - 36IN STANDARD**

MATERIAL: **16GA**

FINISH: **304 #4**