

Part Number	Length "A"	Width "B"
STT-3024-1	30.00"	24.00"
STT-3624-1	36.00"	24.00"
STT-4224-1	42.00"	24.00"
STT-4824-1	48.00"	24.00"
STT-5424-1	54.00"	24.00"
STT-6024-1	60.00"	24.00"
STT-6624-1	66.00"	24.00"
STT-7224-1	72.00"	24.00"
STT-8424-1	84.00"	24.00"
STT-9624-1	96.00"	24.00"

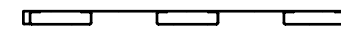
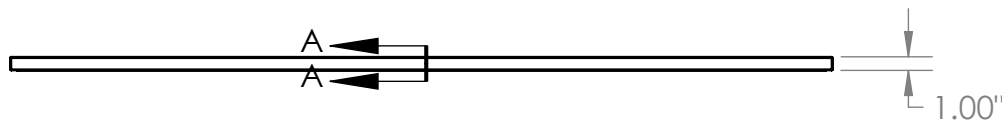
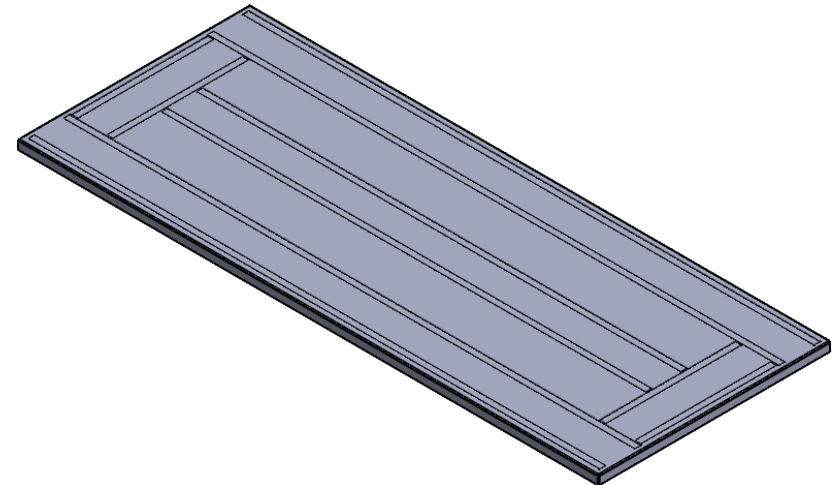
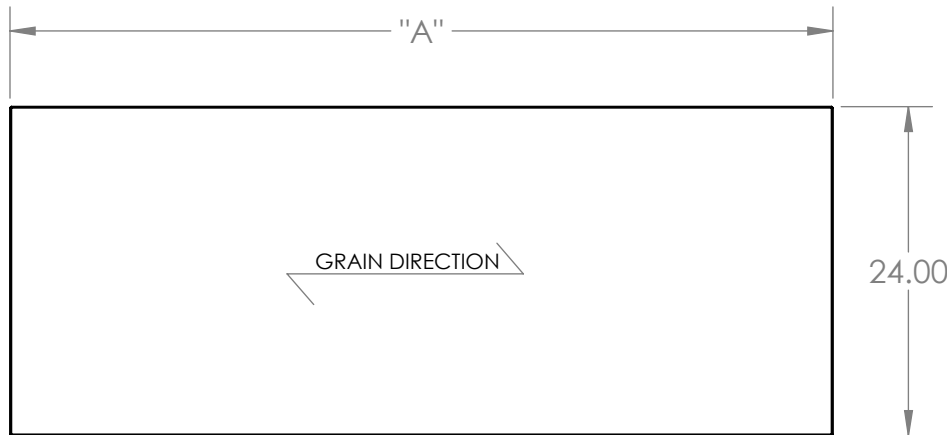
"STT" Stainless Table Tops

Flat stainless steel top used as a table frame top or countertop.

Features

- "A" L x 24"W x 1"d
- Constructed from 16 gauge, type 304 stainless steel, polished to a #4 finish
- Hat Channels spot welded to bottom for support
- Sound Deadener applied

Product Dimensions



SECTION A-A
SCALE 1 : 14

UNLESS OTHERWISE SPECIFIED:

DIMENSIONS ARE IN INCHES
TOLERANCES:
ANGULAR ±2.50°
ONE-PLACE ±0.5
TWO-PLACE ±0.13

PROPRIETARY AND CONFIDENTIAL

THE INFORMATION CONTAINED IN THIS DRAWING IS THE SOLE PROPERTY OF INTER DYNE SYSTEMS. ANY REPRODUCTION IN PART OR AS A WHOLE WITHOUT THE WRITTEN PERMISSION OF INTER DYNE SYSTEMS IS PROHIBITED.

REV.	REVISION DESCRIPTION	DRAWN	CHECKED	DATE	COMMENTS:
A	SUBMITTALS SENT	ASR		05/14/22	HAT CHANNEL AND SOUND DEADENER TO BE APPLIED IN FINAL ASSEMBLY
					QTY: N/A



**INTER DYNE
SYSTEMS, INC**

676 E. Ellis Rd., Norton Shores, MI 49441
Phone: 231-799-8760 Fax: 231-799-9690

PART NO.

STT - 24IN STANDARD

MATERIAL: **16GA**

FINISH: **304 #4**