

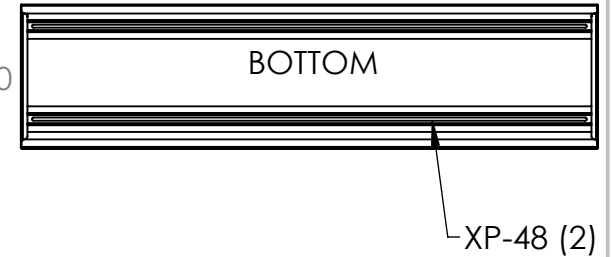
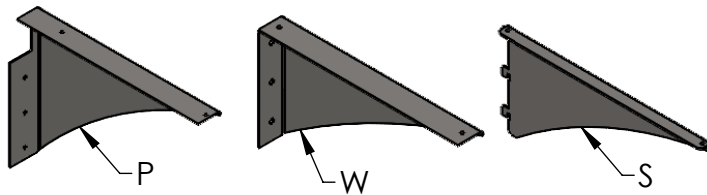
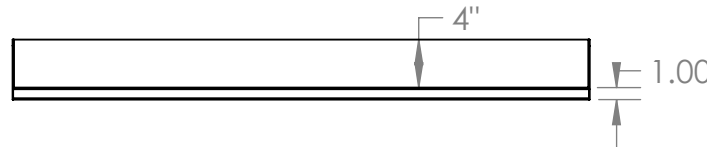
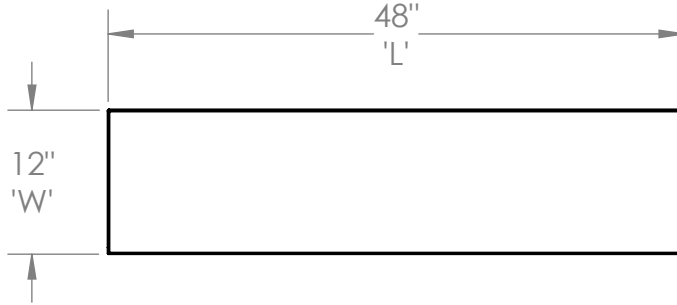
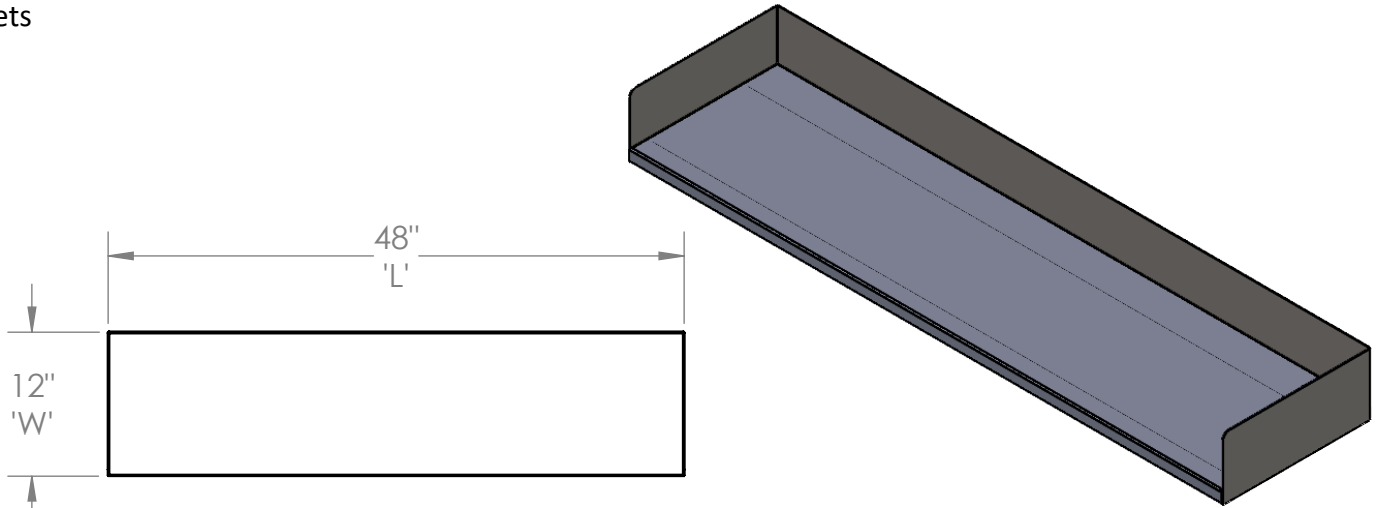
# "CS" CARBOY SHELF

Stainless Steel wall shelf with wrap around, XP rails, and mounting brackets

## Product Dimensions

### Features

- 48"l x 12"w x 1"t
- Constructed from 18 gauge, type 304 stainless steel, polished to a #4 finish
- S/S wrap 4" tall welded to shelf
- XP-rails welded to underside
- Standard Widths of 12" or 16"
- Also available in custom widths
- \*OPTION\* (select from below)  
S/S mounting brackets



| NAME<br>(CS-'L'-MOUNT-'W') | TYPE OF BRKT                             |
|----------------------------|--|
| CS-48'W'                   | NO BRACKETS                              |
| CS-48-P-'W'                | PEGBOARD MOUNT                           |
| CS-48-W-'W'                | WALL MOUNT                               |
| CS-48-S-'W'                | ADJ WALL MOUNT (REQUIRES WALL STANDARDS) |

**UNLESS OTHERWISE SPECIFIED:**  
 DIMENSIONS ARE IN INCHES  
 TOLERANCES:  
 ANGULAR ±2.50°  
 ONE-PLACE ±0.5  
 TWO-PLACE ±0.13

**PROPRIETARY AND CONFIDENTIAL**  
 THE INFORMATION CONTAINED IN THIS DRAWING IS THE SOLE PROPERTY OF INTER DYNE SYSTEMS. ANY REPRODUCTION IN PART OR AS A WHOLE WITHOUT THE WRITTEN PERMISSION OF INTER DYNE SYSTEMS IS PROHIBITED.

| REV. | REVISION DESCRIPTION   | DRAWN | CHECKED | DATE     | COMMENTS: |
|------|------------------------|-------|---------|----------|-----------|
| A    | STANDARD PRINT CREATED | ASR   |         | 10/01/20 |           |
|      |                        |       |         |          |           |
|      |                        |       |         |          |           |
|      |                        |       |         |          |           |
|      |                        |       |         |          |           |
|      |                        |       |         |          |           |
|      |                        |       |         |          |           |
|      |                        |       |         |          |           |
|      |                        |       |         |          |           |
|      |                        |       |         |          |           |


**INTER DYNE SYSTEMS, INC**  
 676 E. Ellis Rd., Norton Shores, MI 49441  
 Phone: 231-799-8760 Fax: 231-799-9690

**PART NO.**  
 CS-4812

**QTY: N/A**

MATERIAL: **18GA**      FINISH: **304 #4**