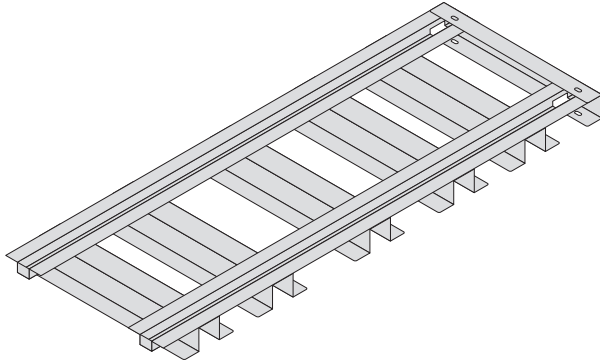


## Adjustable racking system kit

## XP rack



<i>Features</i>	<i>Model number</i>	<i>Size</i>	<i>Number of brackets</i>
• All stainless steel construction	XP-18	18"	5
• Made from 18 gauge material	XP-20	20"	6
• Type 304 stainless steel, #4 finish	XP-24	24"	6
	XP-30	30"	7
	XP-32	32"	7
	XP-36	36"	8
	XP-48	48"	9

### *Product Compatibility*

The XP rack can be added to any existing acrylic, epoxy or wood shelving.



INTER DYNE  
SYSTEMS

Inter Dyne Systems, Inc.  
676 Ellis Road, Norton Shores, MI 49441  
Ph: 877.4ss.labs

[www.interdynesystems.com](http://www.interdynesystems.com)