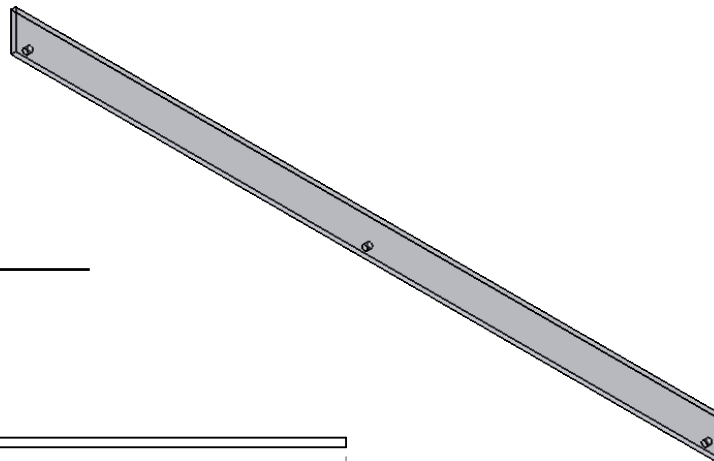


## "ASL" Acrylic Shelf Lip

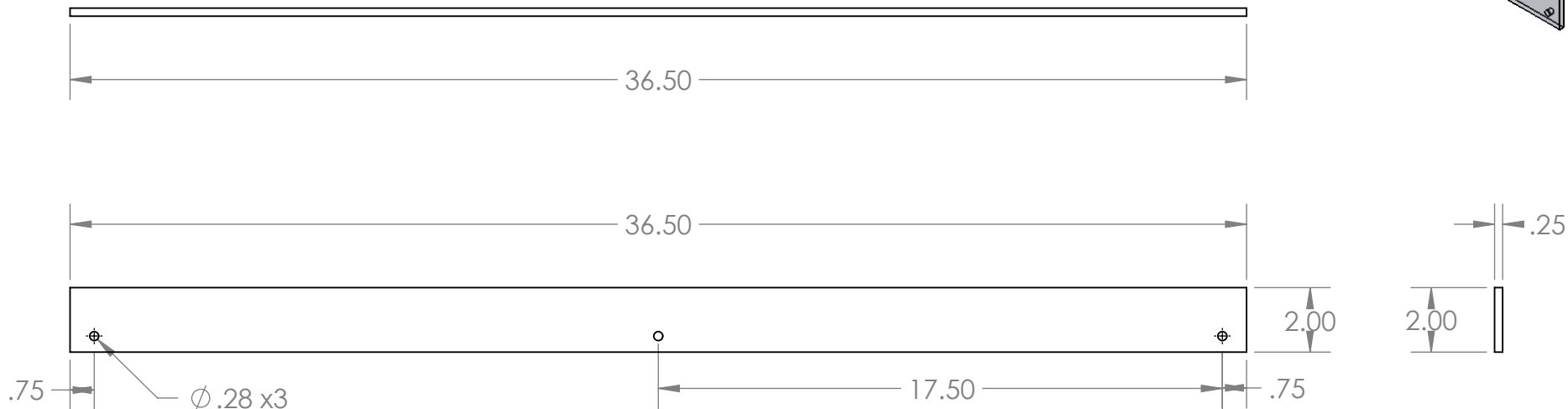
Clear acrylic shelf lip with mounting holes.

## Features

- 36.5"w x 2"h x 1/4"d
- 3 -  $\phi$ .281 mounting holes
- Eased and flame polished edges



## Product Dimensions



### UNLESS OTHERWISE SPECIFIED:

DIMENSIONS ARE IN INCHES  
TOLERANCES:  
ANGULAR  $\pm 2.50^\circ$   
ONE-PLACE  $\pm 0.5$   
TWO-PLACE  $\pm 0.13$

### PROPRIETARY AND CONFIDENTIAL

THE INFORMATION CONTAINED IN THIS DRAWING IS THE SOLE PROPERTY OF INTER DYNE SYSTEMS. ANY REPRODUCTION IN PART OR AS A WHOLE WITHOUT THE WRITTEN PERMISSION OF INTER DYNE SYSTEMS IS PROHIBITED.

REV.	REVISION DESCRIPTION	DRAWN	CHECKED	DATE	COMMENTS:
A	SUBMITTALS SENT	ASR		10/07/20	

**QTY: N/A**



**INTER DYNE SYSTEMS, INC**

676 E. Ellis Rd., Norton Shores, MI 49441  
Phone: 231-799-8760 Fax: 231-799-9690

**PART NO.**

**ASL-36-5**

MATERIAL: **.25IN ACRYLIC** FINISH: **CLEAR**