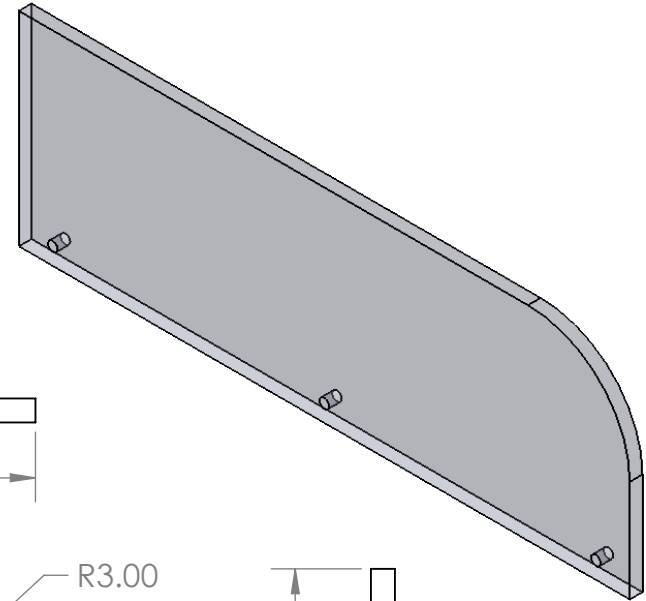


## "ASE" Acrylic Shelf End

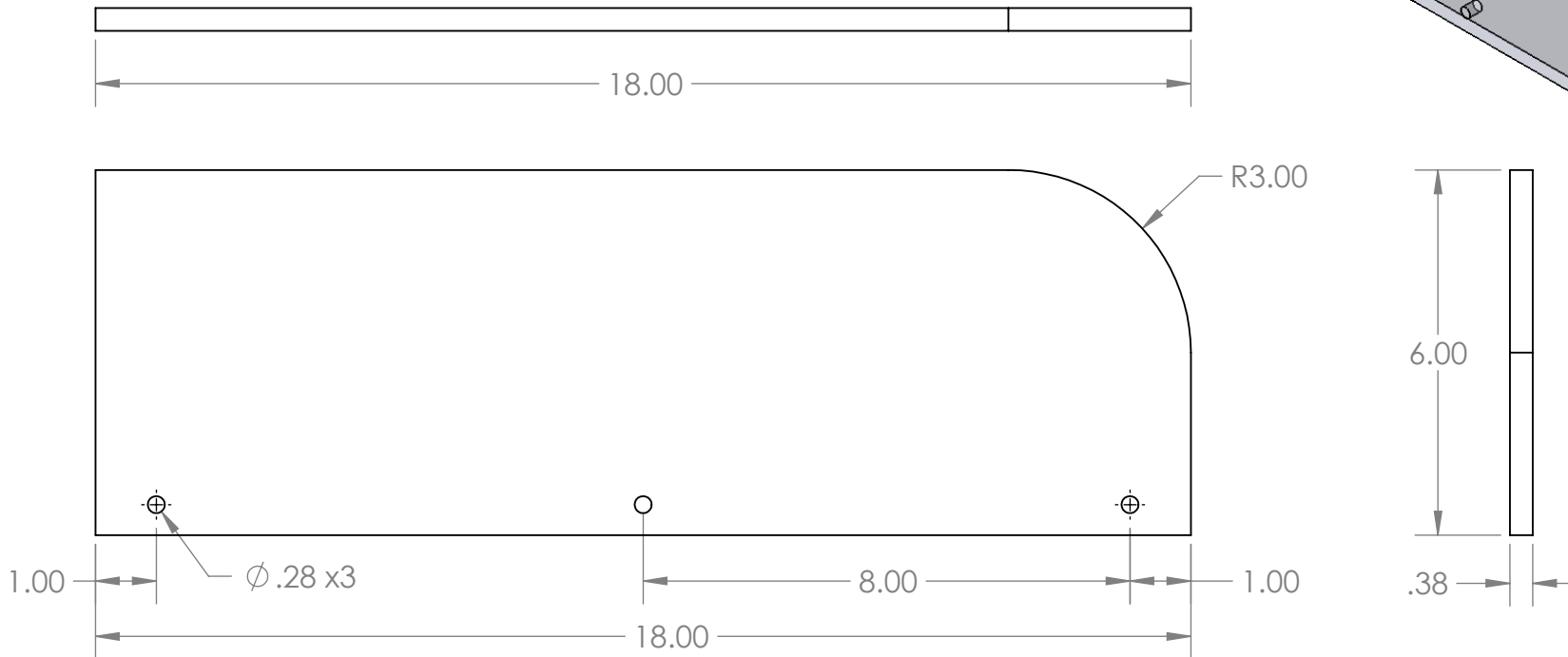
Clear acrylic shelf end with  
mounting holes

### Features

- 18"w x 6"h x 3/8"d
- 3 -  $\varnothing$ .281 mounting holes
- Eased and flame polished edges



### Product Dimensions



#### UNLESS OTHERWISE SPECIFIED:

DIMENSIONS ARE IN INCHES  
TOLERANCES:  
ANGULAR  $\pm 2.50^\circ$   
ONE-PLACE  $\pm 0.5$   
TWO-PLACE  $\pm 0.13$

#### PROPRIETARY AND CONFIDENTIAL

THE INFORMATION CONTAINED IN THIS DRAWING IS THE SOLE PROPERTY OF INTER DYNE SYSTEMS. ANY REPRODUCTION IN PART OR AS A WHOLE WITHOUT THE WRITTEN PERMISSION OF INTER DYNE SYSTEMS IS PROHIBITED.

REV.	REVISION DESCRIPTION	DRAWN	CHECKED	DATE	COMMENTS:
A	STANDARD PRINT CREATED	ASR		10/06/20	

**QTY: N/A**



**INTER DYNE  
SYSTEMS, INC**

676 E. Ellis Rd., Norton Shores, MI 49441  
Phone: 231-799-8760 Fax: 231-799-9690

**PART NO.**

**ASE-1806**

MATERIAL: **.375IN. ACRYLIC** FINISH: **CLEAR**