

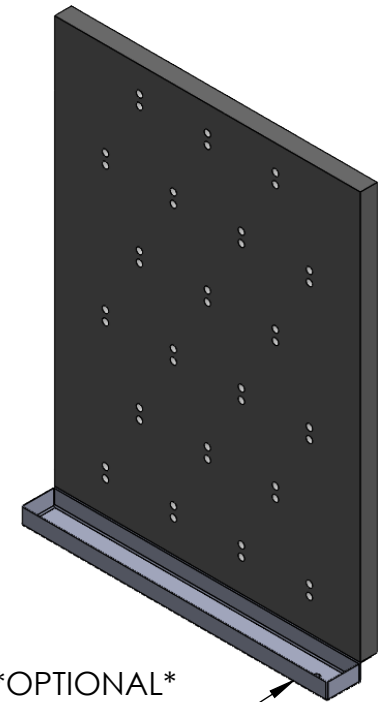
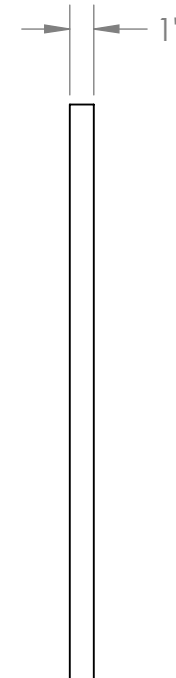
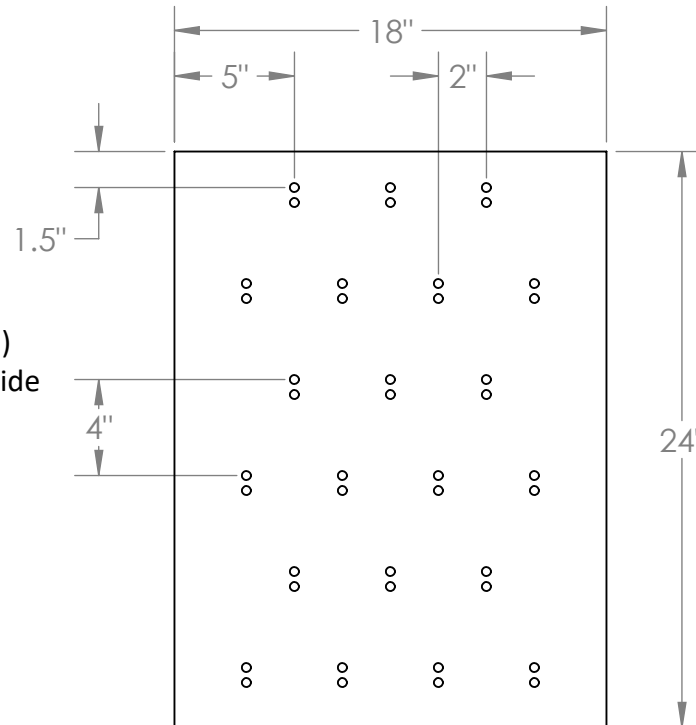
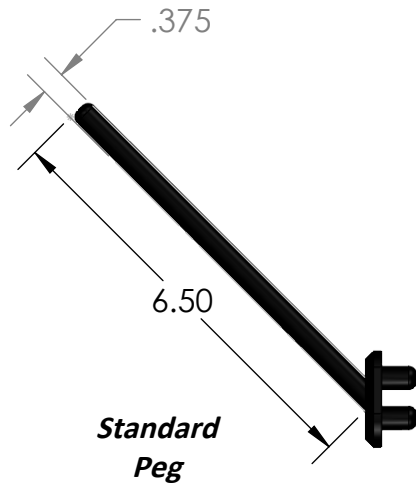
"EPB" Epoxy Pegboard

Product Dimensions

Epoxy pegboards are made of 1" thick black epoxy.

Features

- 18"w x 24"h x 1"d
- 21 - 6.5" long 3/8" diameter black Polypropylene pegs
- White is available upon request
- *OPTIONAL* HDT-18 (S/S undermount drip trough) that comes either 2" or 4" wide



OPTIONAL
HDT-18
-2" OR -4"

UNLESS OTHERWISE SPECIFIED:

DIMENSIONS ARE IN INCHES
TOLERANCES:
ANGULAR ±2.50°
ONE-PLACE ±0.5
TWO-PLACE ±0.13

PROPRIETARY AND CONFIDENTIAL

THE INFORMATION CONTAINED IN THIS DRAWING IS THE SOLE PROPERTY OF INTER DYNE SYSTEMS. ANY REPRODUCTION IN PART OR AS A WHOLE WITHOUT THE WRITTEN PERMISSION OF INTER DYNE SYSTEMS IS PROHIBITED.

REV.	REVISION DESCRIPTION	DRAWN	CHECKED	DATE	COMMENTS:
A	STANDARD PRINT CREATED	ASR		09/09/20	PEG COUNT 21
					QTY: N/A



**INTER DYNE
SYSTEMS, INC**

676 E. Ellis Rd., Norton Shores, MI 49441
Phone: 231-799-8760 Fax: 231-799-9690

PART NO.

EPB-1824

MATERIAL: **1.00" EPOXY**

FINISH: **BLACK**