

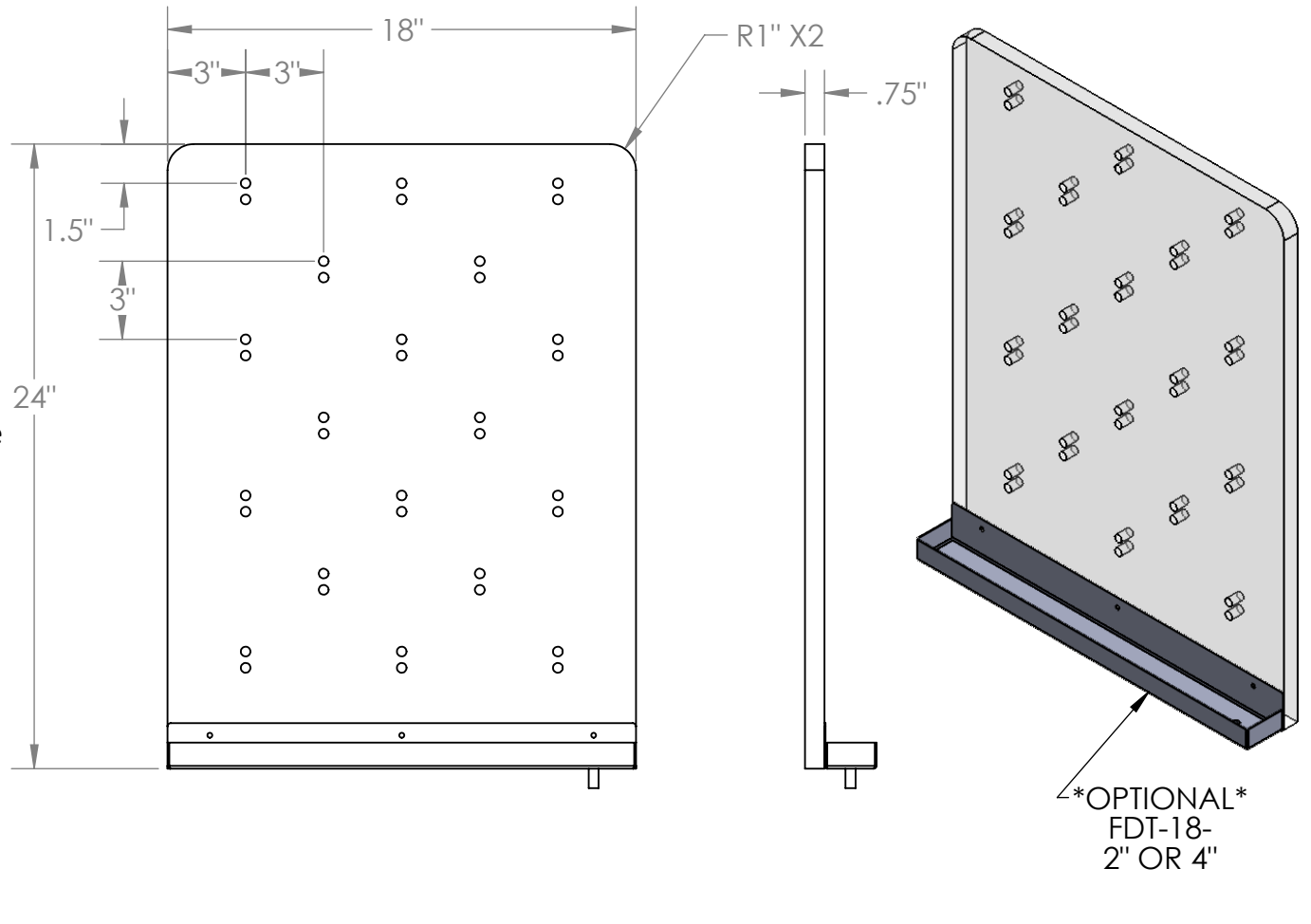
"APB" Acrylic Pegboard

Product Dimensions

Acrylic pegboards are made of 3/4" thick clear acrylic board.

Features

- 18"w x 24"h x 3/4"d
- 18 - 6.5" long 3/8" diameter White Polypropylene pegs
- Eased and flame polished edges
- *OPTIONAL* FDT-18 (S/S face mount drip trough) that comes either 2" or 4" wide



UNLESS OTHERWISE SPECIFIED:

DIMENSIONS ARE IN INCHES
TOLERANCES:
ANGULAR ±2.50°
ONE-PLACE ±0.5
TWO-PLACE ±0.13

PROPRIETARY AND CONFIDENTIAL

THE INFORMATION CONTAINED IN THIS DRAWING IS THE SOLE PROPERTY OF INTER DYNE SYSTEMS. ANY REPRODUCTION IN PART OR AS A WHOLE WITHOUT THE WRITTEN PERMISSION OF INTER DYNE SYSTEMS IS PROHIBITED.

REV.	REVISION DESCRIPTION	DRAWN	CHECKED	DATE	COMMENTS:
A	STANDARD PRINT CREATED	ASR		09/09/20	PEG COUNT 18
					QTY: N/A



INTER DYNE SYSTEMS, INC

676 E. Ellis Rd., Norton Shores, MI 49441
Phone: 231-799-8760 Fax: 231-799-9690

PART NO.

APB-1824

MATERIAL: **.75IN ACRYLIC** FINISH: **CLEAR**