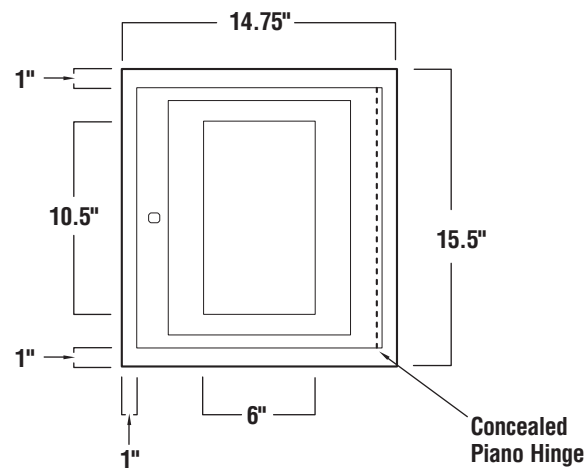


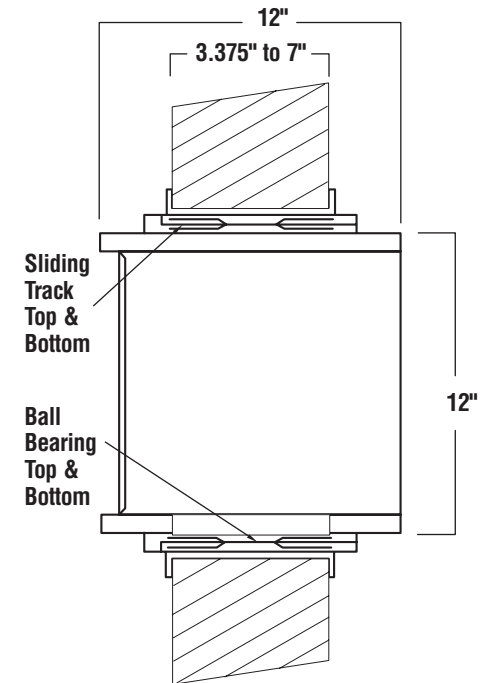
Features

- 14 3/4"w x 15 1/2"h x 12"d
- Wall opening 13 1/4"w x 14"h
- Turntable is adjustable for walls from 3 3/8" to 7" thick. Can receive objects up to 5 7/8"w x 10 7/16"h x 10"d
- Constructed of 18 gauge, type 304 stainless steel, polished to a #4 finish

Product Dimensions



FRONT VIEW



SIDE VIEW: SECTION