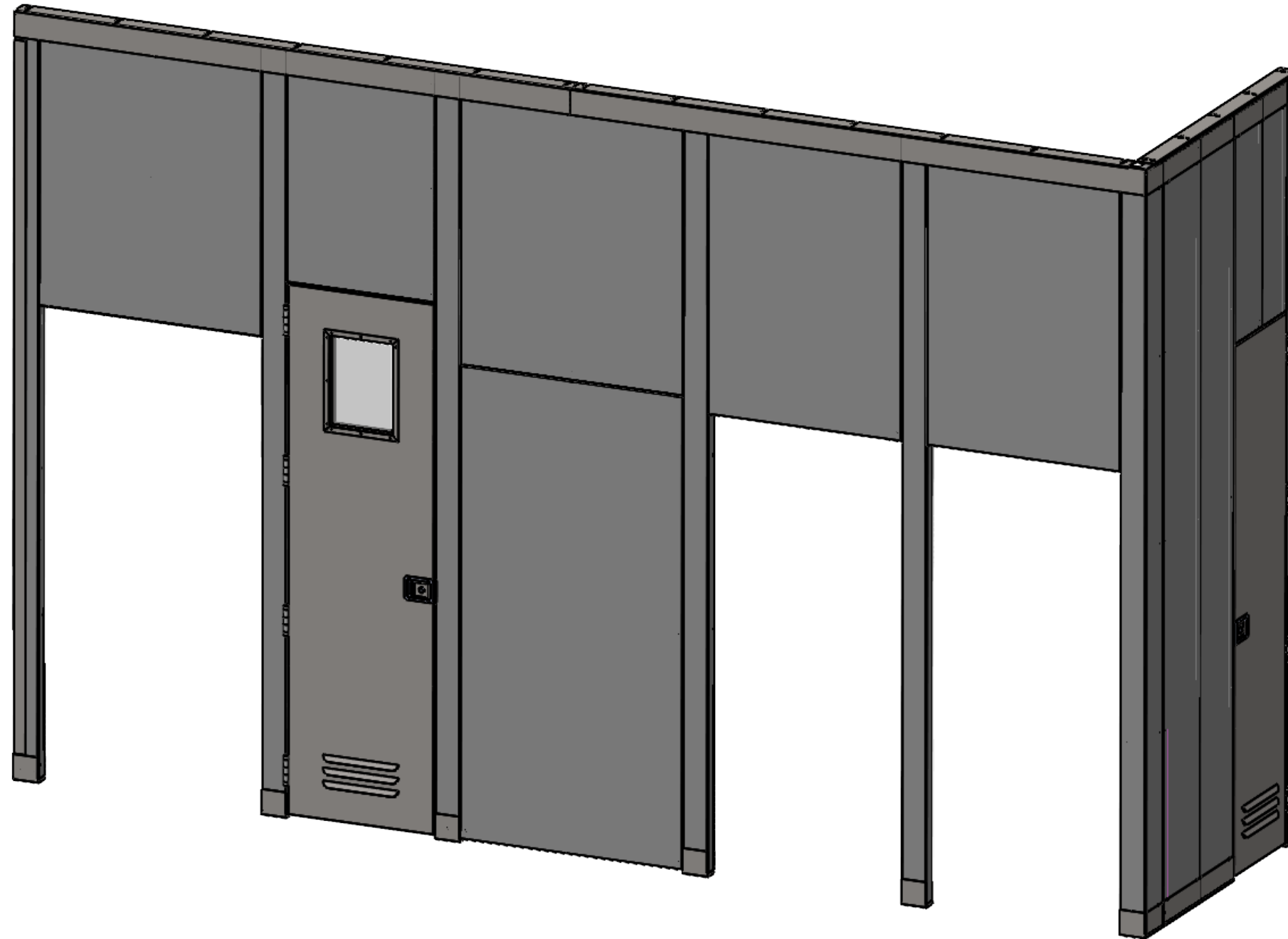


- NOTES:
 1. NO VISIBLE FASTENERS FRONT FACING
 2. INSULATED



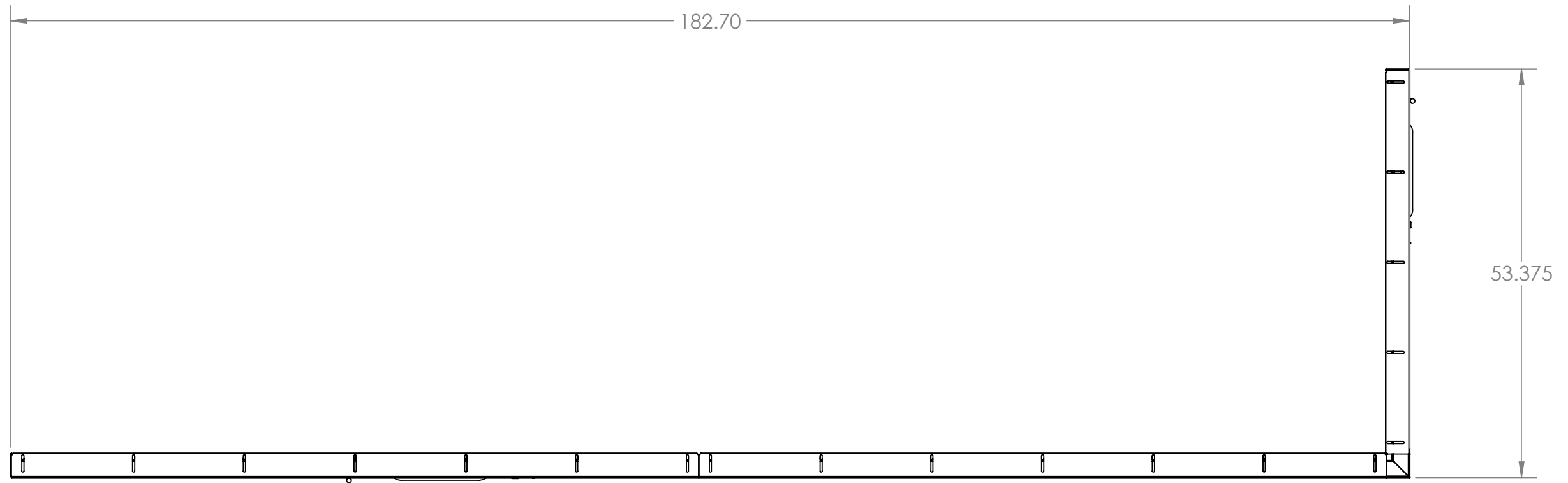
UNLESS OTHERWISE SPECIFIED:	REV.	REVISION DESCRIPTION	DRAWN	CHECKED	DATE	COMMENTS:
DIMENSIONS ARE IN INCHES TOLERANCES: ANGULAR ±1.0° ONE-PLACE ±0.060 TWO-PLACE ±0.030 THREE-PLACE ±0.015	A	SUBMITTALS SENT	SMN		2/21/25	
PROPRIETARY AND CONFIDENTIAL THE INFORMATION CONTAINED IN THIS DRAWING IS THE SOLE PROPERTY OF INTER DYNE SYSTEMS. ANY REPRODUCTION IN PART OR AS A WHOLE WITHOUT THE WRITTEN PERMISSION OF INTER DYNE SYSTEMS IS PROHIBITED.						
						QTY: 1

INTER DYNE SYSTEMS, INC
 676 E. Ellis Rd., Norton Shores, MI 49441
 Phone: 231-799-8760 Fax: 231-799-9690

PART NO.
ROOM 219 MOD WALL

MATERIAL: _____ FINISH: _____

ALL DIMENSIONS MUST BE FIELD VERIFIED BEFORE FABRICATION



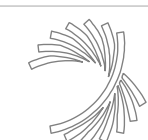
UNLESS OTHERWISE SPECIFIED:
 DIMENSIONS ARE IN INCHES
 TOLERANCES:
 ANGULAR ±1.0°
 ONE-PLACE ±0.060
 TWO-PLACE ±0.030
 THREE-PLACE ±0.015

PROPRIETARY AND CONFIDENTIAL
 THE INFORMATION CONTAINED IN
 THIS DRAWING IS THE SOLE
 PROPERTY OF INTER DYNE SYSTEMS.
 ANY REPRODUCTION IN PART OR
 AS A WHOLE WITHOUT THE WRITTEN
 PERMISSION OF INTER DYNE
 SYSTEMS IS PROHIBITED.

REV.	REVISION DESCRIPTION	DRAWN	CHECKED	DATE
A	SUBMITTALS SENT	SMN		2/21/25

COMMENTS:

QTY: 1

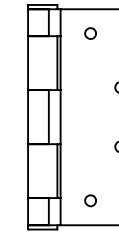
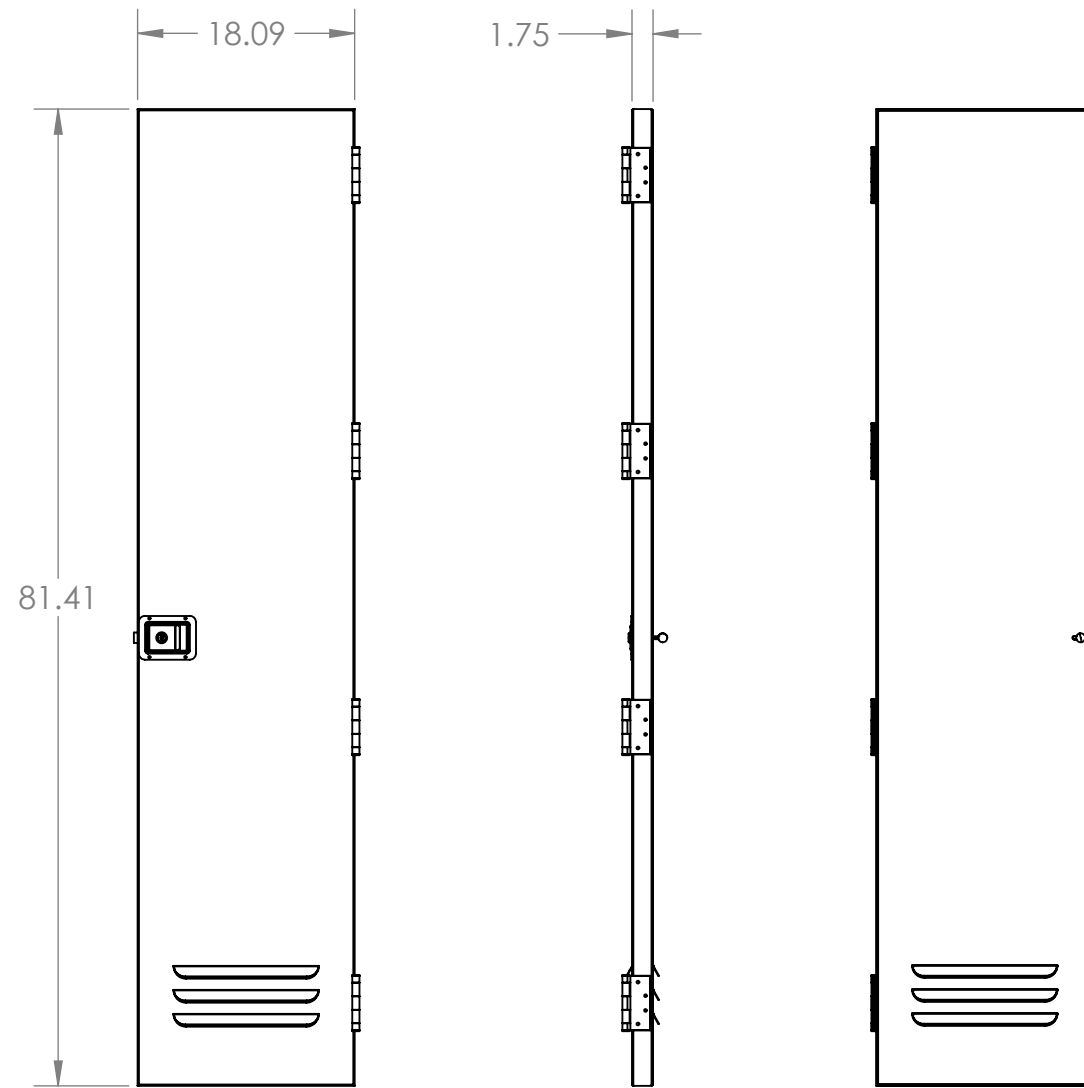


INTER DYNE SYSTEMS, INC
 676 E. Ellis Rd., Norton Shores, MI 49441
 Phone: 231-799-8760 Fax: 231-799-9690

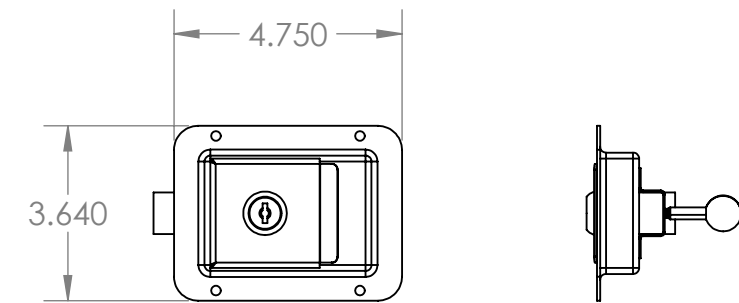
PART NO.
ROOM 219 MOD WALL

MATERIAL: FINISH:

TYPICAL DOOR CONSTRUCTION



HEAVY DUTY KNUCKLE HINGE



PADDLE HANDLE

UNLESS OTHERWISE SPECIFIED:	REV.	REVISION DESCRIPTION	DRAWN	CHECKED	DATE	COMMENTS:
DIMENSIONS ARE IN INCHES TOLERANCES: ANGULAR ±1.0° ONE-PLACE ±0.060 TWO-PLACE ±0.030 THREE-PLACE ±0.015	A	SUBMITTALS SENT	SMN		2/21/25	
PROPRIETARY AND CONFIDENTIAL THE INFORMATION CONTAINED IN THIS DRAWING IS THE SOLE PROPERTY OF INTER DYNE SYSTEMS. ANY REPRODUCTION IN PART OR AS A WHOLE WITHOUT THE WRITTEN PERMISSION OF INTER DYNE SYSTEMS IS PROHIBITED.						
						QTY: 1



INTER DYNE SYSTEMS, INC
 676 E. Ellis Rd., Norton Shores, MI 49441
 Phone: 231-799-8760 Fax: 231-799-9690

PART NO.
ROOM 219 MOD WALL

MATERIAL: FINISH:

