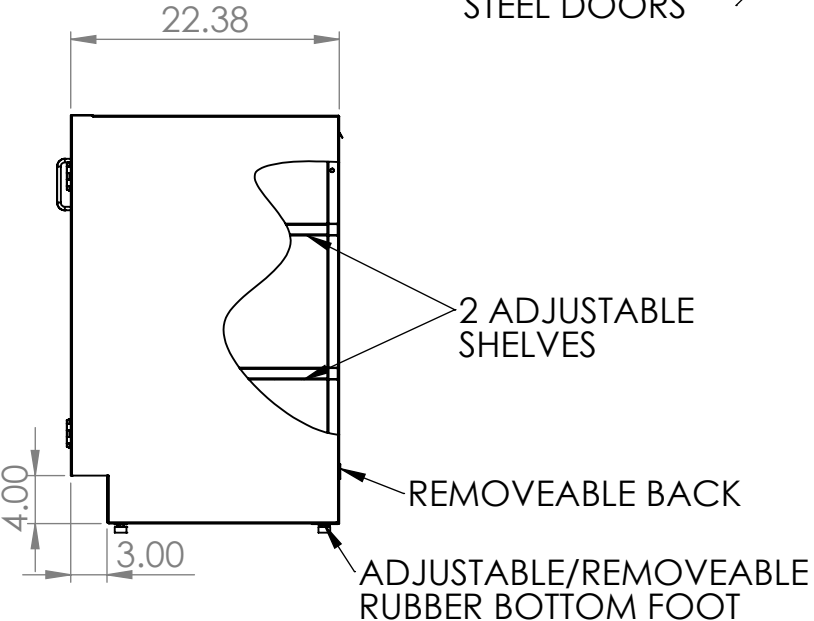
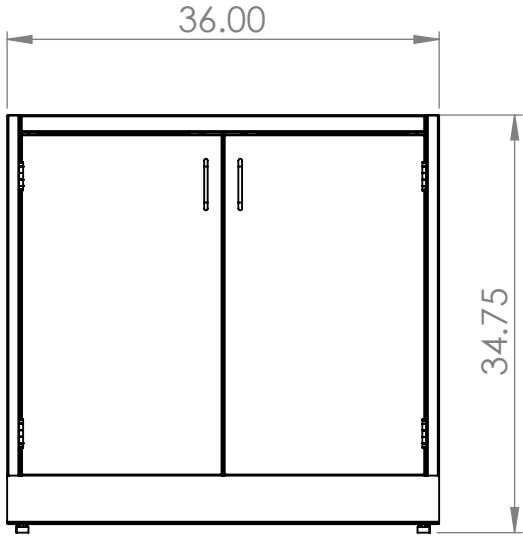


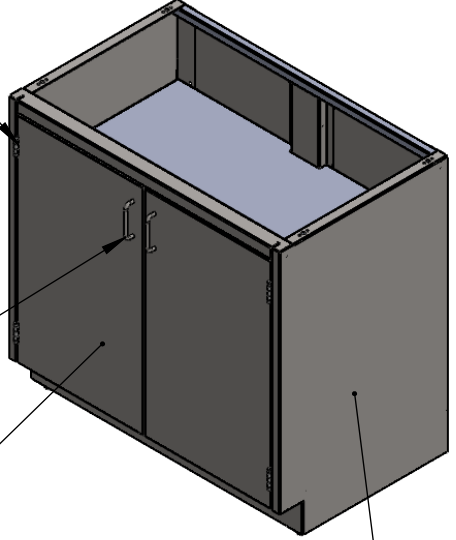
PRODUCT DIMENSIONS



STAINLESS STEEL
5 KNUCKLE HINGES

STAINLESS STEEL
4IN WIRE PULL
HANDLES

20GA STAINLESS
STEEL DOORS



18GA STAINLESS
STEEL CONST.

2 ADJUSTABLE
SHELVES

REMOVEABLE BACK

ADJUSTABLE/REMOVEABLE
RUBBER BOTTOM FOOT

UNLESS OTHERWISE SPECIFIED:
DIMENSIONS ARE IN INCHES
TOLERANCES:
ANGULAR ±2.50°
ONE-PLACE ±0.5
TWO-PLACE ±0.13

PROPRIETARY AND CONFIDENTIAL
THE INFORMATION CONTAINED IN
THIS DRAWING IS THE SOLE
PROPERTY OF INTER DYNE SYSTEMS.
ANY REPRODUCTION IN PART OR
AS A WHOLE WITHOUT THE WRITTEN
PERMISSION OF INTER DYNE
SYSTEMS IS PROHIBITED.

REV.	REVISION DESCRIPTION	DRAWN	CHECKED	DATE	COMMENTS:
A	SUBMITTALS SENT	ASR		--/--/--	

QTY: N/A

**INTER DYNE
SYSTEMS, INC**
676 E. Ellis Rd., Norton Shores, MI 49441
Phone: 231-799-8760 Fax: 231-799-9690

PART NO.
SBC3536

MATERIAL: 18GA **FINISH: 304 #4**