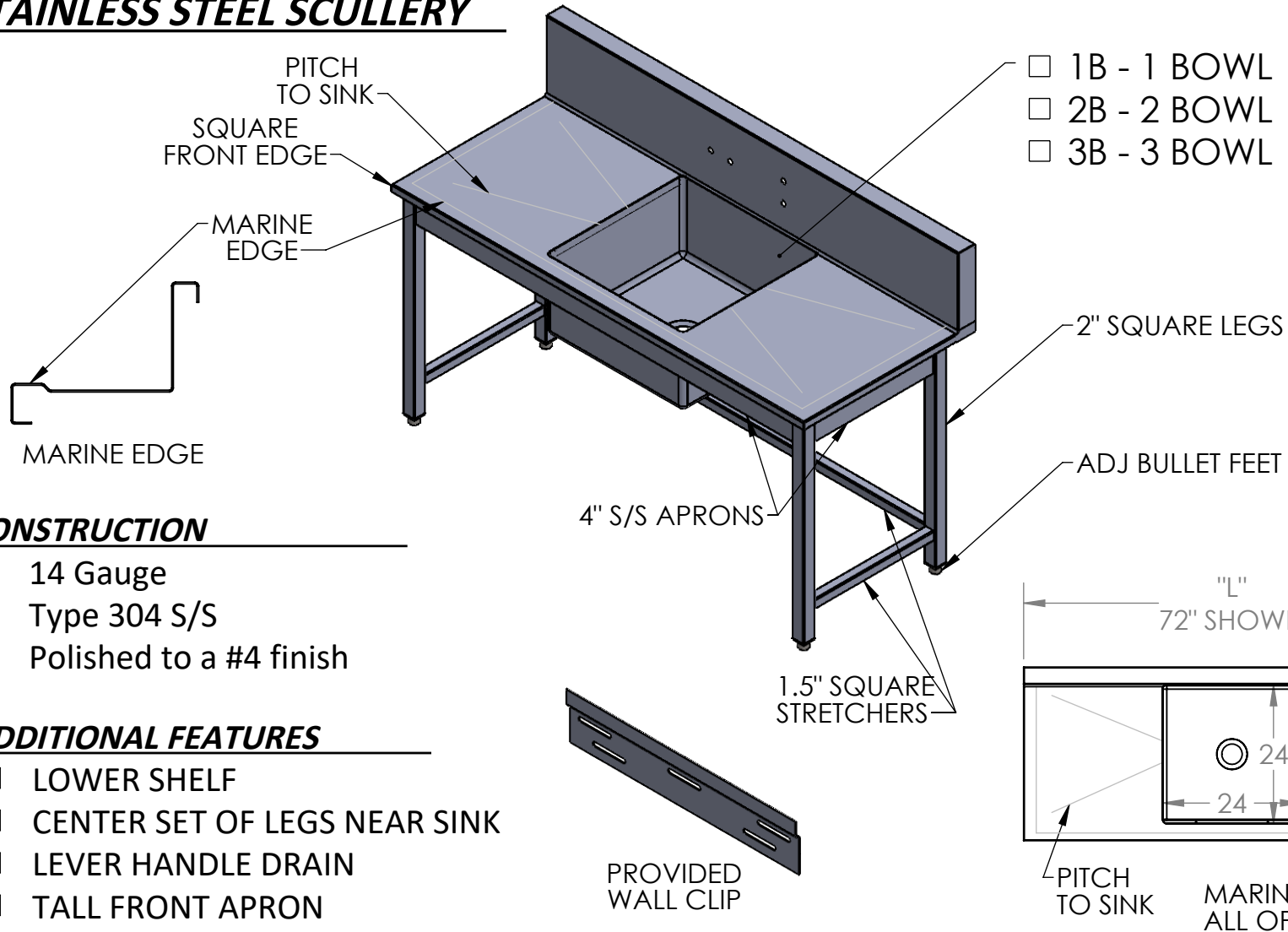


STAINLESS STEEL SCULLERY



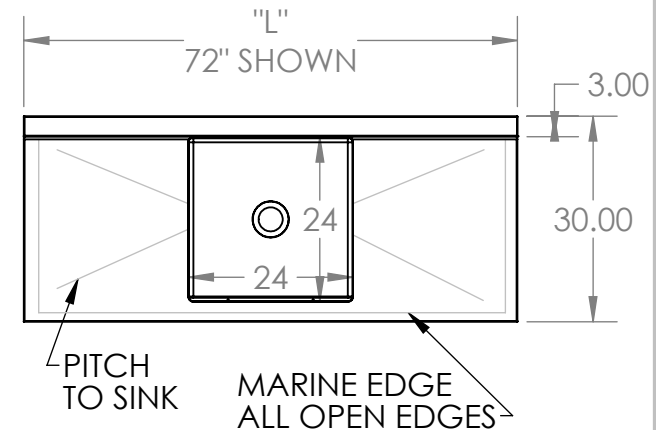
- 1B - 1 BOWL
- 2B - 2 BOWL
- 3B - 3 BOWL

CONSTRUCTION

- 14 Gauge
- Type 304 S/S
- Polished to a #4 finish

ADDITIONAL FEATURES

- LOWER SHELF
- CENTER SET OF LEGS NEAR SINK
- LEVER HANDLE DRAIN
- TALL FRONT APRON



UNLESS OTHERWISE SPECIFIED:	REV.	REVISION DESCRIPTION	DRAWN	CHECKED	DATE	COMMENTS:
DIMENSIONS ARE IN INCHES TOLERANCES: ANGULAR ±2.50° ONE-PLACE ±0.5 TWO-PLACE ±0.13	A	STANDARD PRINT CREATED	ASR		1/18/22	HAT CHANNEL AND SOUND DEADENER TO BE APPLIED IN FINAL ASSEMBLY
PROPRIETARY AND CONFIDENTIAL THE INFORMATION CONTAINED IN THIS DRAWING IS THE SOLE PROPERTY OF INTER DYNE SYSTEMS. ANY REPRODUCTION IN PART OR AS A WHOLE WITHOUT THE WRITTEN PERMISSION OF INTER DYNE SYSTEMS IS PROHIBITED.						QTY: 1



INTER DYNE SYSTEMS, INC
676 E. Ellis Rd., Norton Shores, MI 49441
Phone: 231-799-8760 Fax: 231-799-9690

PART NO.
SCULLERY SPEC SHEET

MATERIAL: **14GA** FINISH: **304 #4**