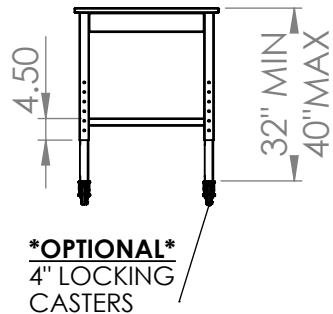


COUNTERTOP WITH FRAME

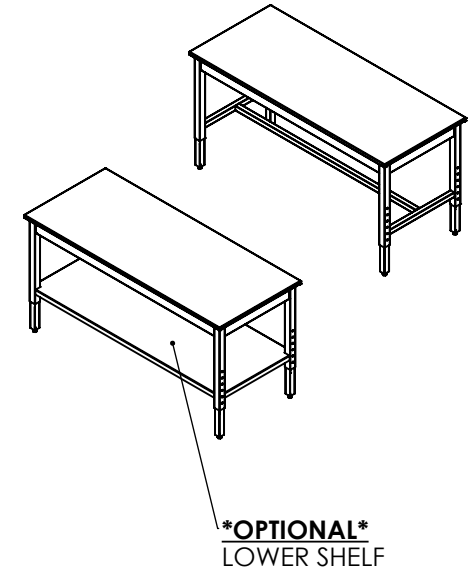
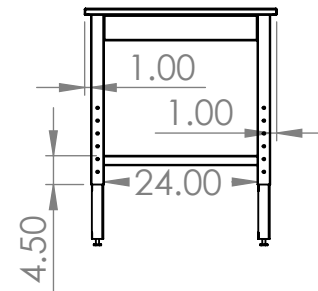
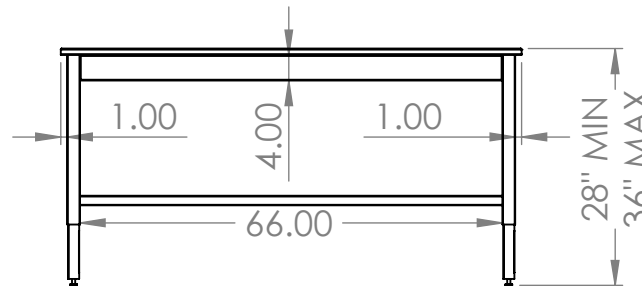
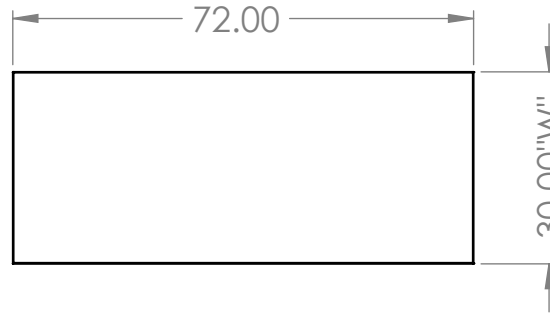
STAINLESS STEEL FLAT COUNTERTOP
WITH ADJUSTABLE STAINLESS STEEL
FRAME

COUNTERTOP WITH FRAME

- 72"L X 30"W X 1"T
- S/S - 2" X 2" SQ TUBING
ADJUSTABLE LEGS
- S/S - 1.5" X 1.5" SQ TUBING
STRECHERS
- S/S - 4" WELD ON RAILS ON ALL
FOUR SIDES
- 4 - ADJUSTABLE LEVELER FEET
- ALSO AVAILABLE IN 24" & 36"
DEPTHS
- ***OPTIONAL*** - S/S -
FIXED/REMOVABLE LOWER SHELF
- ***OPTIONAL*** - 4" LOCKING
CASTERS INSTEAD OF LEVELER
FEET



PRODUCT DIMENSIONS



UNLESS OTHERWISE SPECIFIED:

DIMENSIONS ARE IN INCHES
TOLERANCES:
ANGULAR ±2.50°
ONE-PLACE ±0.5
TWO-PLACE ±0.13

PROPRIETARY AND CONFIDENTIAL

THE INFORMATION CONTAINED IN
THIS DRAWING IS THE SOLE
PROPERTY OF INTER DYNE SYSTEMS.
ANY REPRODUCTION IN PART OR
AS A WHOLE WITHOUT THE WRITTEN
PERMISSION OF INTER DYNE
SYSTEMS IS PROHIBITED.

REV.	REVISION DESCRIPTION	DRAWN	CHECKED	DATE	COMMENTS:
A	SUBMITTALS SENT	ASR		--/--/--	HAT CHANNEL AND SOUND DEADENER TO BE APPLIED IN FINAL ASSEMBLY
					QTY: N/A



**INTER DYNE
SYSTEMS, INC**

676 E. Ellis Rd., Norton Shores, MI 49441
Phone: 231-799-8760 Fax: 231-799-9690

PART NO.

72 X 30 X 1 - CTOP - ADJ - FRAME

MATERIAL: **16GA**

FINISH: **304 #4**