

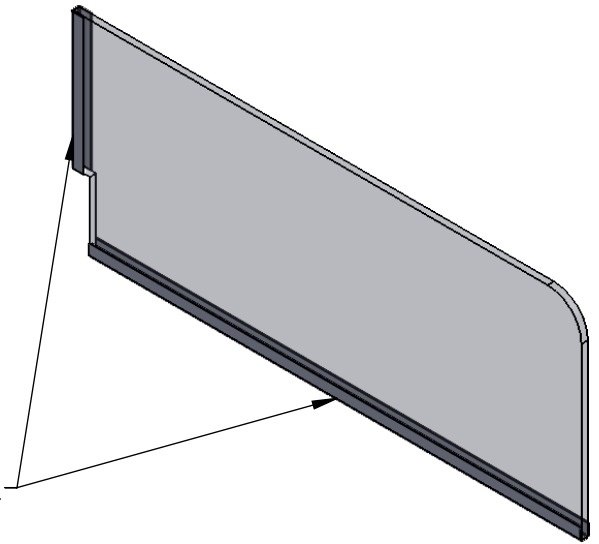
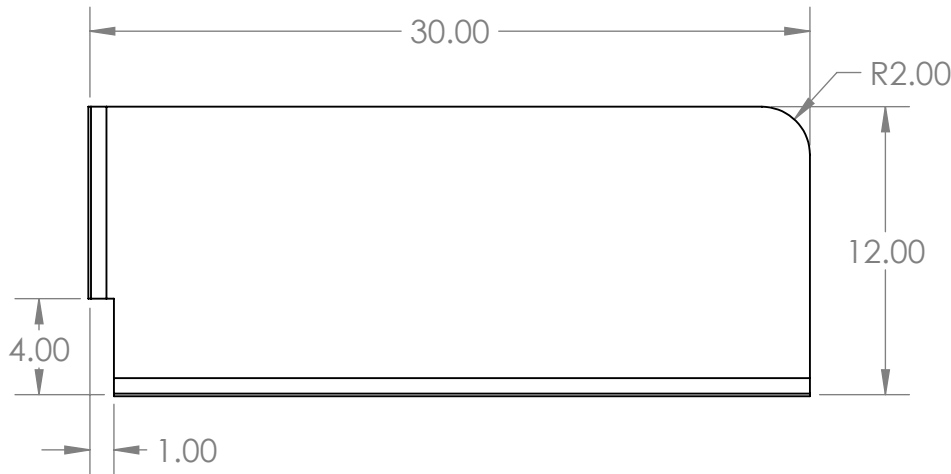
**"ASGN" Acrylic Notched Splash Guard**

Clear acrylic splash guard  
with a notch

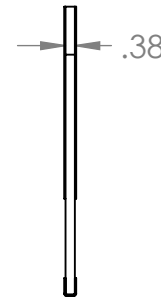
**Features**

- 30"w x 12"h x 3/8"d
- 4" x 1" notch
- Eased and flame polished edges
- **\*OPTIONAL\*** (Additional Cost)  
S/S U-Channel bottom and side

**Product Dimensions**



\*OPTIONAL\*  
S/S U-CHANNEL



**UNLESS OTHERWISE SPECIFIED:**

DIMENSIONS ARE IN INCHES  
TOLERANCES:  
ANGULAR ±2.50°  
ONE-PLACE ±0.5  
TWO-PLACE ±0.13

**PROPRIETARY AND CONFIDENTIAL**

THE INFORMATION CONTAINED IN THIS DRAWING IS THE SOLE PROPERTY OF INTER DYNE SYSTEMS. ANY REPRODUCTION IN PART OR AS A WHOLE WITHOUT THE WRITTEN PERMISSION OF INTER DYNE SYSTEMS IS PROHIBITED.

REV.	REVISION DESCRIPTION	DRAWN	CHECKED	DATE	COMMENTS:
A	STANDARD PRINT CREATED	ASR		10/01/20	

**QTY: N/A**



**INTER DYNE SYSTEMS, INC**  
676 E. Ellis Rd., Norton Shores, MI 49441  
Phone: 231-799-8760 Fax: 231-799-9690

**PART NO.**  
**ASGN-3012-.375**

**MATERIAL: .375IN. ACRYLIC FINISH: CLEAR**