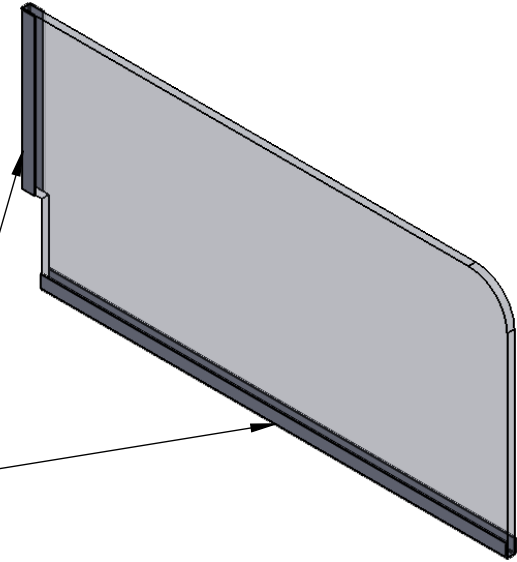


**"ASGN" Acrylic Notched Splash Guard**

Clear acrylic splash guard  
with a notch

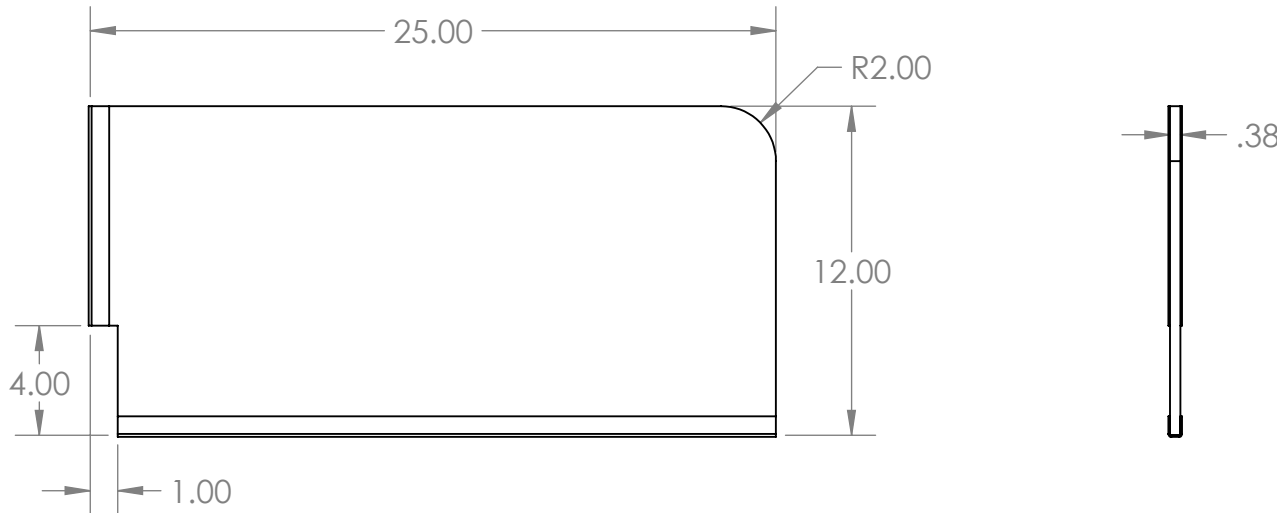
**Features**

- 25" w x 12" h x 3/8" d
- 4" x 1" notch
- Eased and flame polished edges
- \*OPTIONAL\* (Additional Cost) S/S U-Channel bottom and side



\*OPTIONAL\*  
S/S U-CHANNEL

**Product Dimensions**



**UNLESS OTHERWISE SPECIFIED:**

DIMENSIONS ARE IN INCHES  
TOLERANCES:  
ANGULAR ±2.50°  
ONE-PLACE ±0.5  
TWO-PLACE ±0.13

**PROPRIETARY AND CONFIDENTIAL**

THE INFORMATION CONTAINED IN  
THIS DRAWING IS THE SOLE  
PROPERTY OF INTER DYNE SYSTEMS.  
ANY REPRODUCTION IN PART OR  
AS A WHOLE WITHOUT THE WRITTEN  
PERMISSION OF INTER DYNE  
SYSTEMS IS PROHIBITED.

REV.	REVISION DESCRIPTION	DRAWN	CHECKED	DATE	COMMENTS:
A	STANDARD PRINT CREATED	ASR		10/01/20	

**QTY: N/A**



**INTER DYNE  
SYSTEMS, INC**

676 E. Ellis Rd., Norton Shores, MI 49441  
Phone: 231-799-8760 Fax: 231-799-9690

**PART NO.**

**ASGN-2512-.375**

MATERIAL: **.375IN. ACRYLIC** FINISH: **CLEAR**