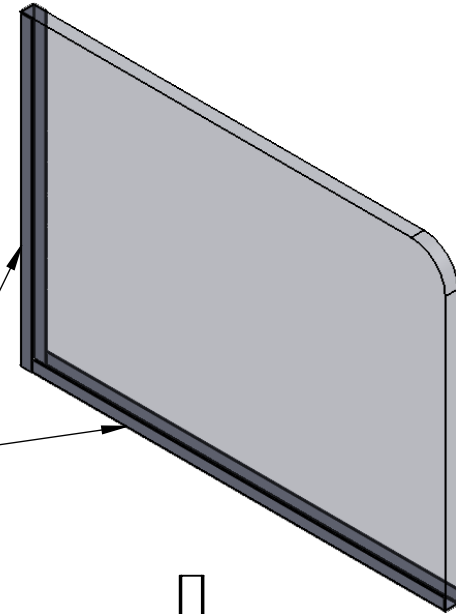


**"ASG" Acrylic Splash Guard**

Clear acrylic splash guard

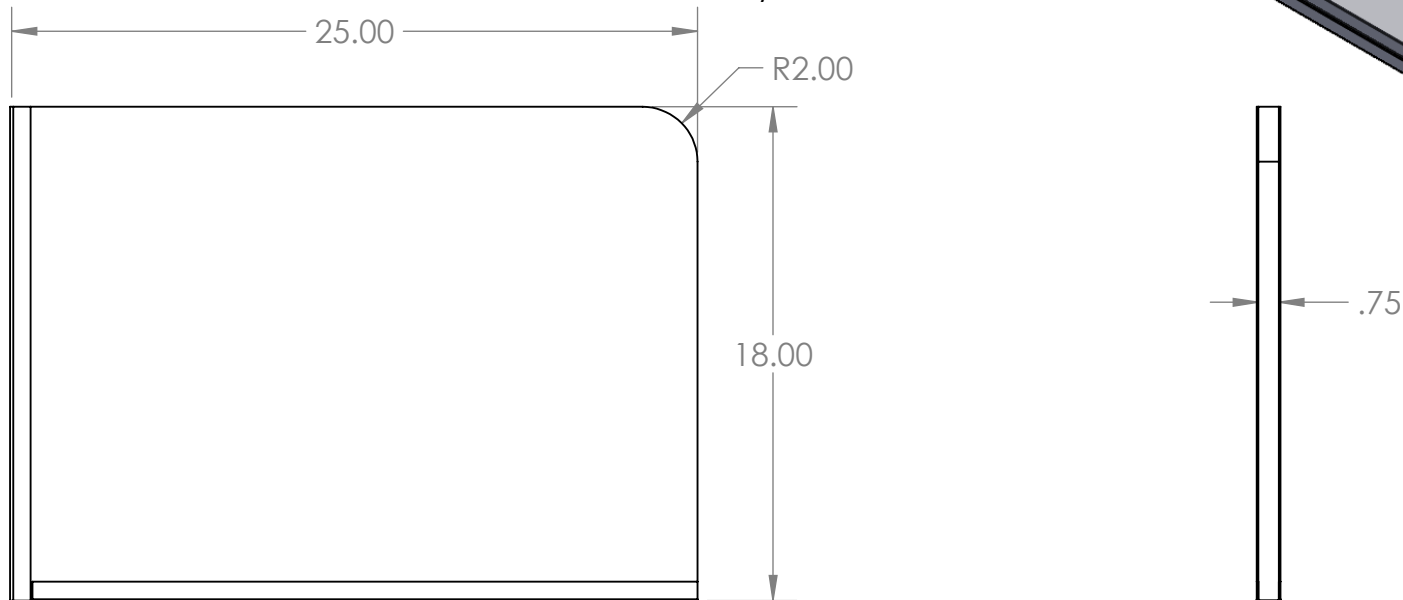
**Features**

- 25"w x 18"h x 3/4"d
- Eased and flame polished edges
- **\*OPTIONAL\*** (Additional Cost)  
S/S U-Channel either bottom and side or welded L-shape



\*OPTIONAL\*  
S/S U-CHANNEL

**Product Dimensions**



**UNLESS OTHERWISE SPECIFIED:**

DIMENSIONS ARE IN INCHES  
TOLERANCES:  
ANGULAR ±2.50°  
ONE-PLACE ±0.5  
TWO-PLACE ±0.13

**PROPRIETARY AND CONFIDENTIAL**

THE INFORMATION CONTAINED IN THIS DRAWING IS THE SOLE PROPERTY OF INTER DYNE SYSTEMS. ANY REPRODUCTION IN PART OR AS A WHOLE WITHOUT THE WRITTEN PERMISSION OF INTER DYNE SYSTEMS IS PROHIBITED.

REV.	REVISION DESCRIPTION	DRAWN	CHECKED	DATE	COMMENTS:
A	STANDARD PRINT CREATED	ASR		10/01/20	



**INTER DYNE SYSTEMS, INC**

676 E. Ellis Rd., Norton Shores, MI 49441  
Phone: 231-799-8760 Fax: 231-799-9690

**PART NO.**

**ASG-2518-.75**

**QTY: N/A**

MATERIAL: **.75IN. ACRYLIC** FINISH: **CLEAR**