

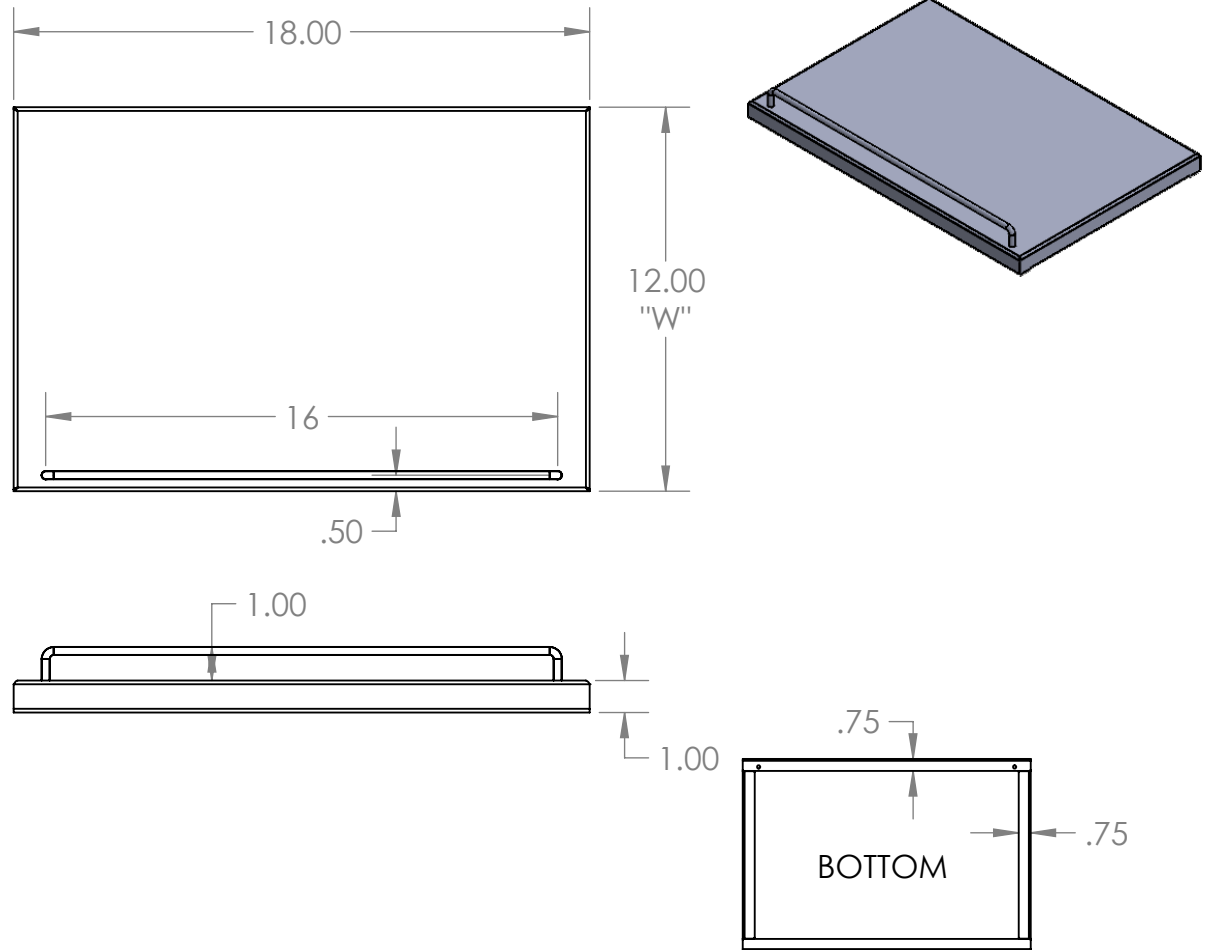
**WS-SLFO "WALL SHELF WITH SEISMIC LIP FRONT ONLY**

Stainless Steel wall shelf with seismic lips in front only

**Features**

- 18"L x 12"W x 1"T
- Type 304, 1/4" diameter seismic lips welded to shelf
- Constructed from 18 gauge, type 304 stainless steel, polished to a #4 finish
- Standard widths of 12" or 16"
- Also available in custom widths
- \*OPTIONAL\*  
- Seismic lips can be drilled & tapped for #10-24 screw for additional cost instead of welded to shelf

**Product Dimensions**



**UNLESS OTHERWISE SPECIFIED:**

DIMENSIONS ARE IN INCHES  
TOLERANCES:  
ANGULAR ±2.50°  
ONE-PLACE ±0.5  
TWO-PLACE ±0.13

**PROPRIETARY AND CONFIDENTIAL**

THE INFORMATION CONTAINED IN THIS DRAWING IS THE SOLE PROPERTY OF INTER DYNE SYSTEMS. ANY REPRODUCTION IN PART OR AS A WHOLE WITHOUT THE WRITTEN PERMISSION OF INTER DYNE SYSTEMS IS PROHIBITED.

REV.	REVISION DESCRIPTION	DRAWN	CHECKED	DATE	COMMENTS:
A	STANDARD PRINT CREATED	ASR		05/25/22	

**QTY:**



**INTER DYNE SYSTEMS, INC**  
676 E. Ellis Rd., Norton Shores, MI 49441  
Phone: 231-799-8760 Fax: 231-799-9690

**PART NO.**  
**WS-1812-SLFO**

MATERIAL: **18GA** FINISH: **304 #4**