

"CS-DLX" CARBOY SHELF

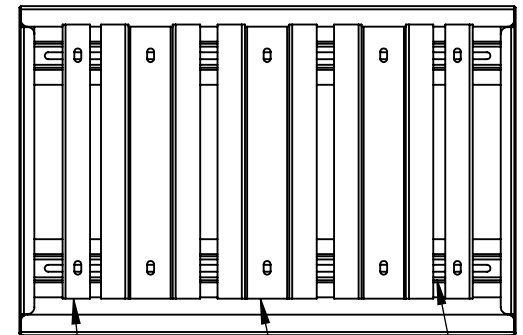
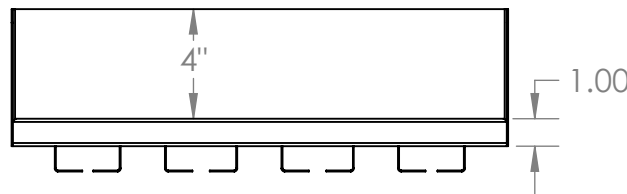
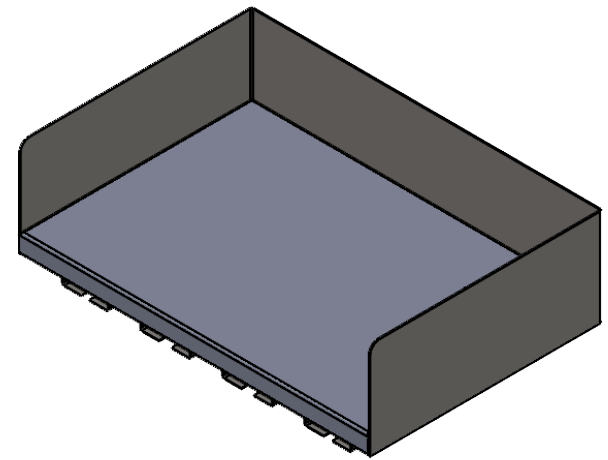
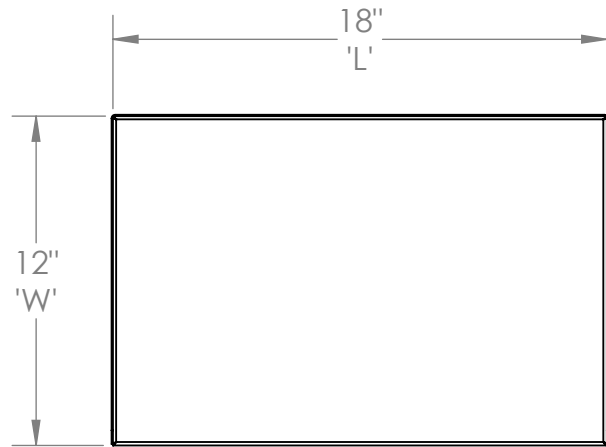
DELUXE

Stainless Steel wall shelf with wrap around, XP rails, rack assembly, and mounting brackets

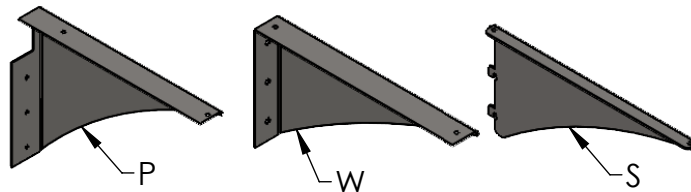
Features

- 18"l x 12"w x 1"t
- Constructed from 18 gauge, type 304 stainless steel, polished to a #4 finish
- S/S wrap 4" tall welded to shelf
- XP-rails welded to underside
- Racking system with hardware (HB-'W', CB-'W', screws)
- Standard widths of 12" or 16"
- Also available in custom widths
- *OPTION* (select from below)
S/S mounting brackets

Product Dimensions



CB-'W' (2) HB-'W' (3) XP-18 (2)



| | |
|----------------------------------|---|
| NAME - DLX (CS-'L'-MOUNT-'W') | TYPE OF BRKT |
| CS-18-P-'W'-DLX | PEGBOARD MOUNT |
| CS-18-W-'W' - DLX | WALL MOUNT |
| CS-18-S-'W' - DLX | ADJ WALL MOUNT (REQUIRES WALL STANDARDS) |

| UNLESS OTHERWISE SPECIFIED: | REV. | REVISION DESCRIPTION | DRAWN | CHECKED | DATE | COMMENTS: |
|---|------|------------------------|-------|---------|----------|-----------------|
| DIMENSIONS ARE IN INCHES TOLERANCES: ANGULAR ±2.50° ONE-PLACE ±0.5 TWO-PLACE ±0.13 | A | STANDARD PRINT CREATED | ASR | | 09/09/20 | |
| PROPRIETARY AND CONFIDENTIAL THE INFORMATION CONTAINED IN THIS DRAWING IS THE SOLE PROPERTY OF INTER DYNE SYSTEMS. ANY REPRODUCTION IN PART OR AS A WHOLE WITHOUT THE WRITTEN PERMISSION OF INTER DYNE SYSTEMS IS PROHIBITED. | | | | | | QTY: N/A |



INTER DYNE SYSTEMS, INC
676 E. Ellis Rd., Norton Shores, MI 49441
Phone: 231-799-8760 Fax: 231-799-9690

PART NO.
CS-1812-DLX

MATERIAL: **18GA** FINISH: **304 #4**