

PART #	Width (A)	Height (B)
FB-1824	18.00"	24.00"
FB-1830	18.00"	30.00"
FB-1836	18.00"	36.00"
FB-2418	24.00"	18.00"
FB-2424	24.00"	24.00"
FB-2430	24.00"	30.00"
FB-2436	24.00"	36.00"
FB-3024	30.00"	24.00"
FB-3030	30.00"	30.00"
FB-3036	30.00"	36.00"
FB-3624	36.00"	24.00"
FB-3630	36.00"	30.00"
FB-3636	36.00"	36.00"
FB-4824	48.00"	24.00"
FB-4830	48.00"	30.00"
FB-4836	48.00"	36.00"

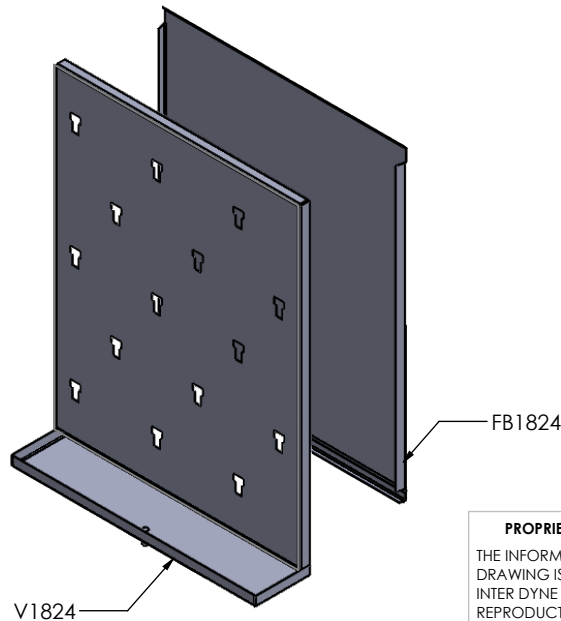
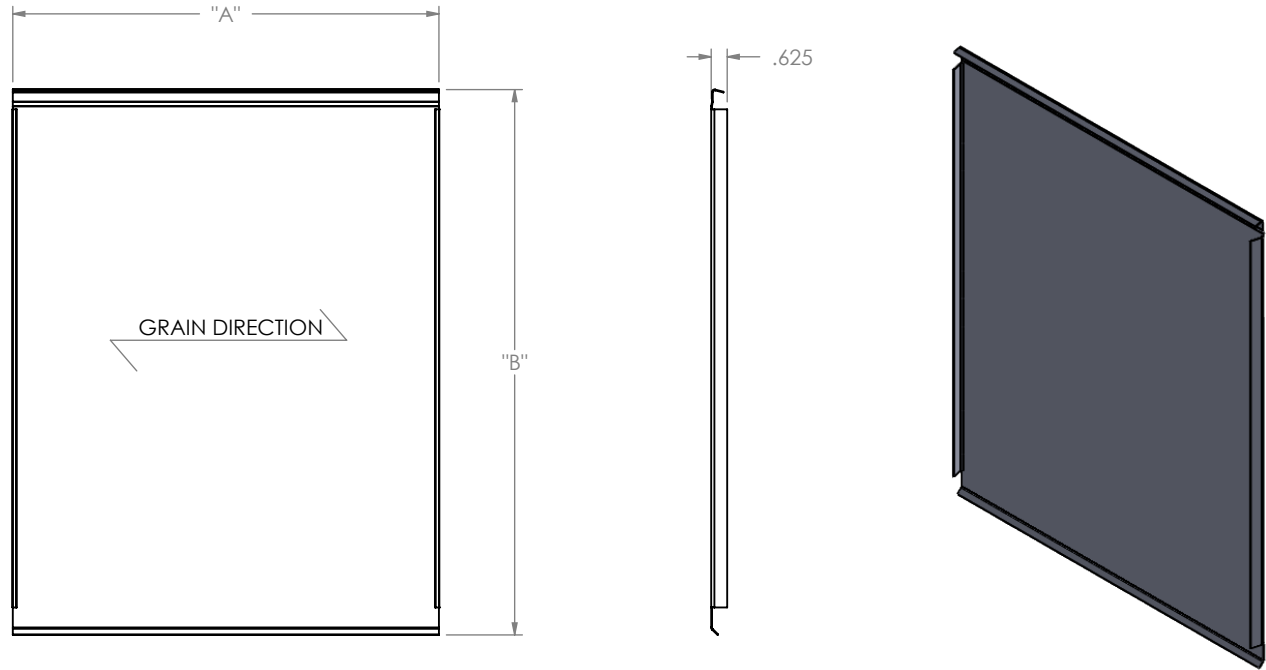
"FB" Finished Back

Stainless Steel finished backing
for Victoria Pegboards

Features

- "A" w x "B" h x 5/8" d
- Autoclavable
- Constructed from 20 gauge, type 304 stainless steel, polished to a #4 finish

Product Dimensions



PROPRIETARY AND CONFIDENTIAL
THE INFORMATION CONTAINED IN THIS DRAWING IS THE SOLE PROPERTY OF INTER DYNE SYSTEMS. ANY REPRODUCTION IN PART OR AS A WHOLE WITHOUT THE WRITTEN PERMISSION OF INTERDYNE SYSTEMS IS PROHIBITED.

UNLESS OTHERWISE SPECIFIED:		NAME	DATE	INTER DYNE SYSTEM, INC 676 E.Ellis Rd., Norton Shores, MI 49441 Phone: 231-799-8760 Fax: 231-799-9690 TITLE: <h2 style="text-align: center;">FB-Standards</h2>
DIMENSIONS ARE IN INCHES		DRAWN	ASR 11/8/2018	
TOLERANCES:		CHECKED		
FRACTIONAL ±		ENG APPR.		
ANGULAR: MACH ± BEND ±		MFG APPR.		
TWO PLACE DECIMAL ±		Q.A.		
THREE PLACE DECIMAL ±		COMMENTS:		
INTERPRET GEOMETRIC TOLERANCING PER:				SIZE DWG. NO. REV
MATERIAL				A
STAINLESS STEEL 20 GA				SCALE: 1:50 WEIGHT: SHEET 1 OF 1
FINISH				
TYPE 304 #4				
DO NOT SCALE DRAWING				