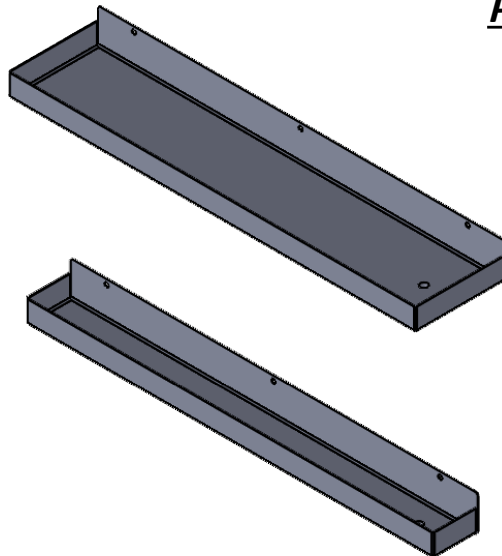


PART NUMBER	LENGTH	WIDTH
FDT-18-2	18"	2"
FDT-18-4	18"	4"
FDT-20-2	20"	2"
FDT-20-4	20"	4"
FDT-24-2	24"	2"
FDT-24-4	24"	4"
FDT-30-2	30"	2"
FDT-30-4	30"	4"
FDT-32-2	34"	2"
FDT-32-4	34"	4"
FDT-36-2	36"	2"
FDT-36-4	36"	4"
FDT-42-2	42"	2"
FDT-42-4	42"	4"
FDT-48-2	48"	2"
FDT-48-4	48"	4"
FDT-60-2	60"	2"
FDT-60-4	60"	4"

"FDT" Face Mount Drip Trough

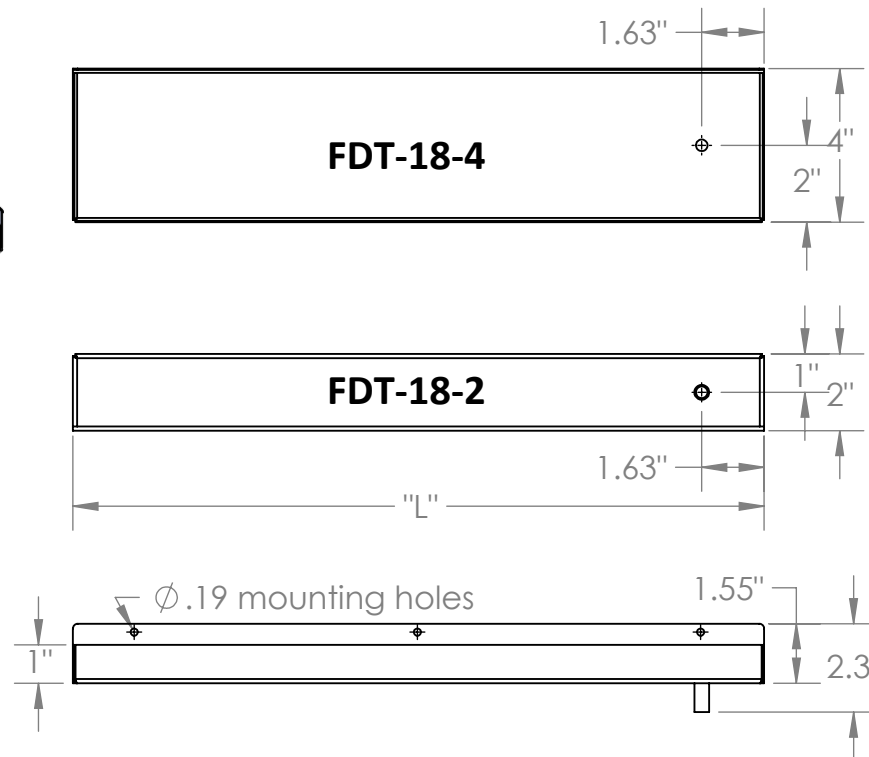
Drip trough that attaches to the front of Acrylic and Epoxy Pegboards.



Features

- All stainless steel construction
- Made from 20 Gauge material, Type 304 #4 finish
- .55" Mounting flange
- 1" Deep trough
- 3ft Flexible drain hose included

Product Dimensions



UNLESS OTHERWISE SPECIFIED:
DIMENSIONS ARE IN INCHES
TOLERANCES:
ANGULAR ±2.50°
ONE-PLACE ±0.5
TWO-PLACE ±0.13

PROPRIETARY AND CONFIDENTIAL
THE INFORMATION CONTAINED IN THIS DRAWING IS THE SOLE PROPERTY OF INTER DYNE SYSTEMS. ANY REPRODUCTION IN PART OR AS A WHOLE WITHOUT THE WRITTEN PERMISSION OF INTER DYNE SYSTEMS IS PROHIBITED.

REV.	REVISION DESCRIPTION	DRAWN	CHECKED	DATE	COMMENTS:
A	STANDARD PRINT CREATED	ASR		09/28/20	

INTER DYNE SYSTEMS, INC
676 E. Ellis Rd., Norton Shores, MI 49441
Phone: 231-799-8760 Fax: 231-799-9690

PART NO.
FDT-STANDARDS

MATERIAL: **20GA** FINISH: **304 #4**

QTY: N/A