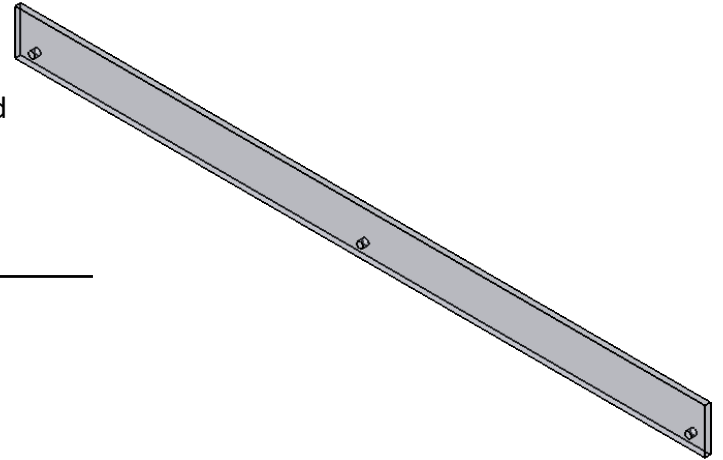


"ASL" Acrylic Shelf Lip

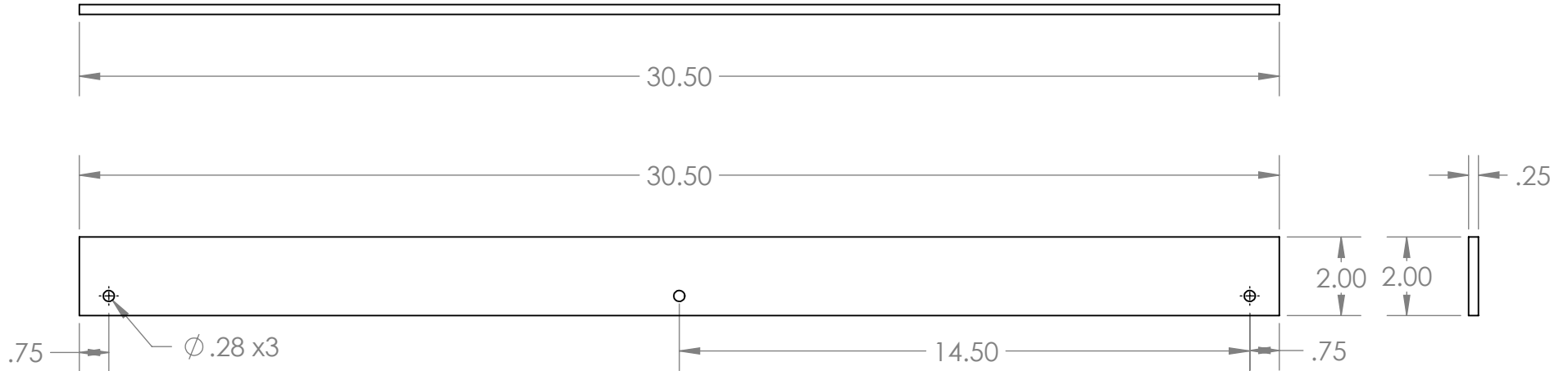
Clear acrylic shelf lip with mounting holes.

Features

- 30.5"w x 2"h x 1/4"d
- 3 - \varnothing .281 mounting holes
- Eased and flame polished edges



Product Dimensions



UNLESS OTHERWISE SPECIFIED:

DIMENSIONS ARE IN INCHES
 TOLERANCES:
 ANGULAR $\pm 2.50^\circ$
 ONE-PLACE ± 0.5
 TWO-PLACE ± 0.13

PROPRIETARY AND CONFIDENTIAL

THE INFORMATION CONTAINED IN THIS DRAWING IS THE SOLE PROPERTY OF INTER DYNE SYSTEMS. ANY REPRODUCTION IN PART OR AS A WHOLE WITHOUT THE WRITTEN PERMISSION OF INTER DYNE SYSTEMS IS PROHIBITED.

REV.	REVISION DESCRIPTION	DRAWN	CHECKED	DATE	COMMENTS:
A	SUBMITTALS SENT	ASR		10/07/20	

QTY: N/A



INTER DYNE
SYSTEMS, INC

676 E. Ellis Rd., Norton Shores, MI 49441
 Phone: 231-799-8760 Fax: 231-799-9690

PART NO.

ASL-30-5

MATERIAL: .25IN ACRYLIC FINISH: CLEAR