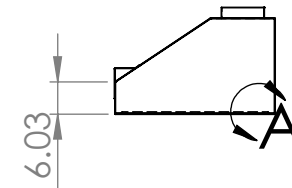
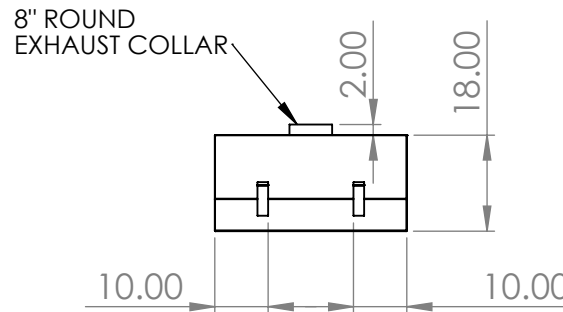
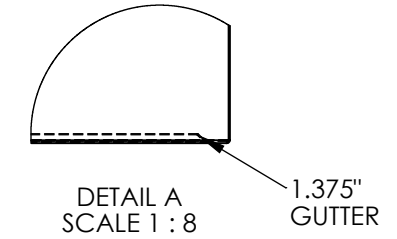
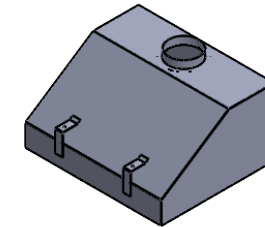
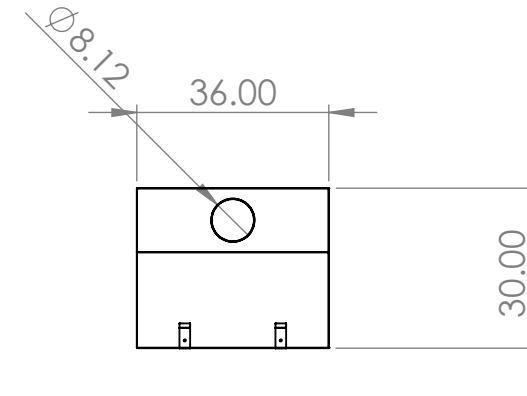


**"WCH" WALL CANOPY HOOD**  
 STAINLESS STEEL ISLAND CANOPY HOOD

**FEATURES**

- CONSTRUCTED FROM 16GA, TYPE 304SS, POLISHED TO A #4 FINISH
- 8" ROUND EXHAUST COLLAR
- 2 - ROD BRACKETS



UNLESS OTHERWISE SPECIFIED:  
 DIMENSIONS ARE IN INCHES  
 TOLERANCES:  
 ANGULAR ±2.50°  
 ONE-PLACE ±0.5  
 TWO-PLACE ±0.13

**PROPRIETARY AND CONFIDENTIAL**  
 THE INFORMATION CONTAINED IN THIS DRAWING IS THE SOLE PROPERTY OF INTER DYNE SYSTEMS. ANY REPRODUCTION IN PART OR AS A WHOLE WITHOUT THE WRITTEN PERMISSION OF INTER DYNE SYSTEMS IS PROHIBITED.

| REV. | REVISION DESCRIPTION | DRAWN | CHECKED | DATE     | COMMENTS:       |
|------|----------------------|-------|---------|----------|-----------------|
| A    | SUBMITTALS SENT      | ASR   |         | --/--/-- |                 |
|      |                      |       |         |          |                 |
|      |                      |       |         |          |                 |
|      |                      |       |         |          |                 |
|      |                      |       |         |          |                 |
|      |                      |       |         |          |                 |
|      |                      |       |         |          |                 |
|      |                      |       |         |          | <b>QTY: N/A</b> |



**INTER DYNE  
 SYSTEMS, INC**  
 676 E. Ellis Rd., Norton Shores, MI 49441  
 Phone: 231-799-8760 Fax: 231-799-9690

**PART NO.**  
**WCH-3630-18**  
 MATERIAL: **16GA** FINISH: **304 #4**