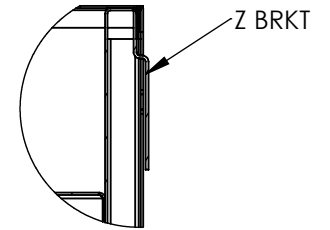
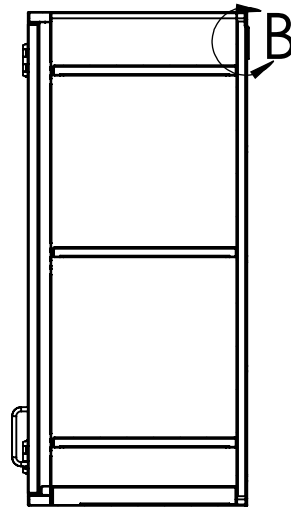
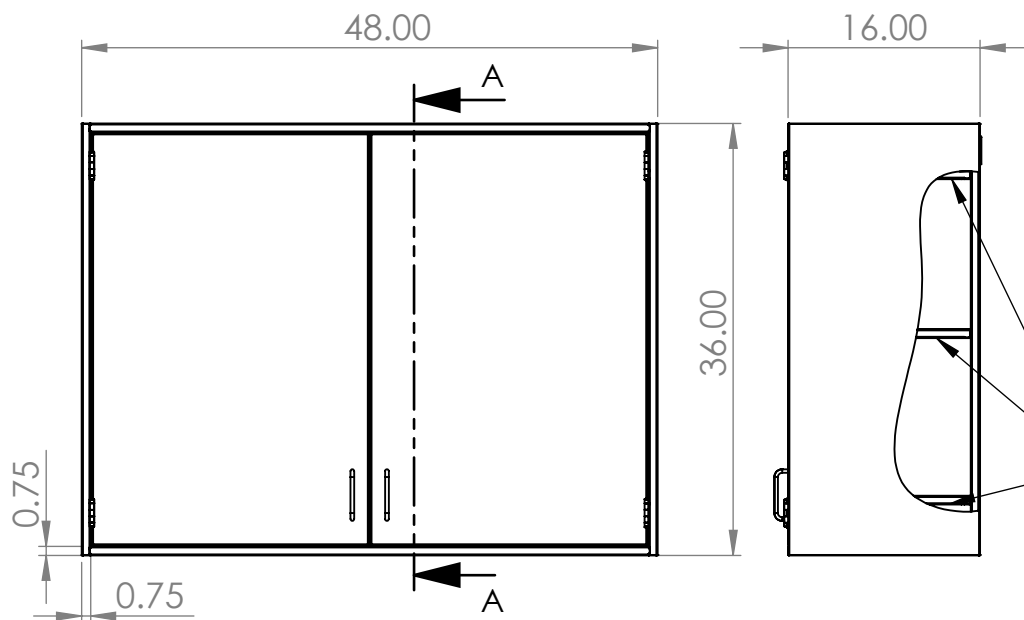


# PRODUCT DIMENSIONS



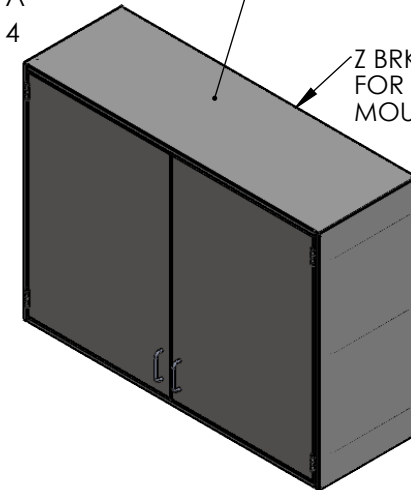
DETAIL B  
SCALE 1 : 4

SECTION A-A  
SCALE 1 : 14

3 ADJUSTABLE  
SHELVES

18GA STAINLESS  
STEEL CONSTRUCTION

Z BRKT ATTACHED  
FOR WALL  
MOUNTING



**UNLESS OTHERWISE SPECIFIED:**

DIMENSIONS ARE IN INCHES  
TOLERANCES:  
ANGULAR ±2.50°  
ONE-PLACE ±0.5  
TWO-PLACE ±0.13

**PROPRIETARY AND CONFIDENTIAL**

THE INFORMATION CONTAINED IN  
THIS DRAWING IS THE SOLE  
PROPERTY OF INTER DYNE SYSTEMS.  
ANY REPRODUCTION IN PART OR  
AS A WHOLE WITHOUT THE WRITTEN  
PERMISSION OF INTER DYNE  
SYSTEMS IS PROHIBITED.

REV.	REVISION DESCRIPTION	DRAWN	CHECKED	DATE	COMMENTS:
A	SUBMITTALS SENT	ASR		--/--/--	

**QTY: N/A**



**INTER DYNE  
SYSTEMS, INC**

676 E. Ellis Rd., Norton Shores, MI 49441  
Phone: 231-799-8760 Fax: 231-799-9690

**PART NO.**

**SWC3648-16**

MATERIAL: **18GA**

FINISH: **304 #4**