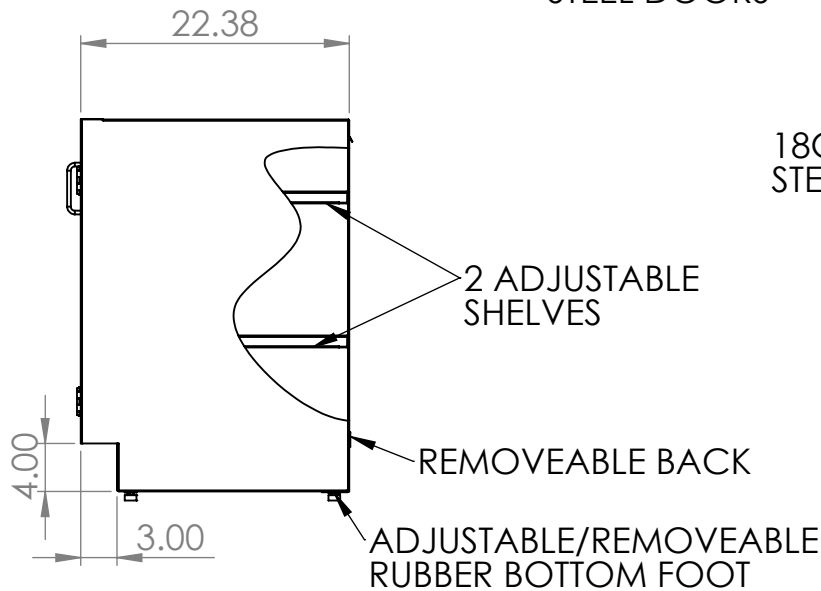
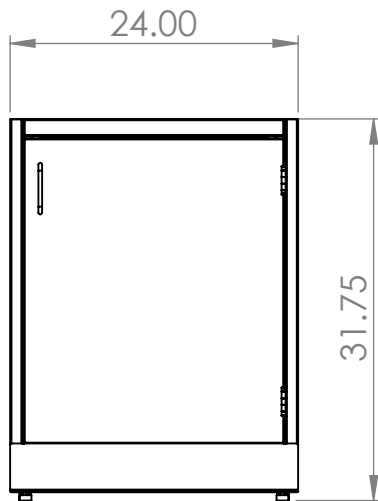


# PRODUCT DIMENSIONS

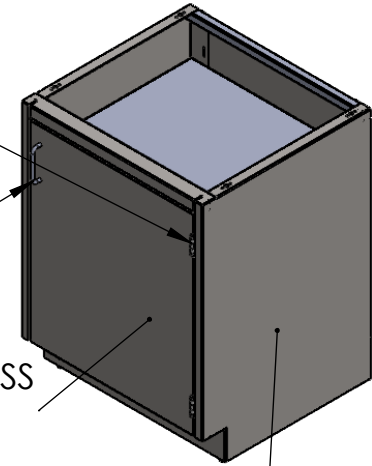


STAINLESS STEEL  
5 KNUCKLE HINGES

STAINLESS STEEL  
4IN WIRE PULL  
HANDLES

20GA STAINLESS  
STEEL DOORS

18GA STAINLESS  
STEEL CONST.



**UNLESS OTHERWISE SPECIFIED:**

DIMENSIONS ARE IN INCHES  
TOLERANCES:  
ANGULAR ±2.50°  
ONE-PLACE ±0.5  
TWO-PLACE ±0.13

**PROPRIETARY AND CONFIDENTIAL**

THE INFORMATION CONTAINED IN  
THIS DRAWING IS THE SOLE  
PROPERTY OF INTER DYNE SYSTEMS.  
ANY REPRODUCTION IN PART OR  
AS A WHOLE WITHOUT THE WRITTEN  
PERMISSION OF INTER DYNE  
SYSTEMS IS PROHIBITED.

REV.	REVISION DESCRIPTION	DRAWN	CHECKED	DATE	COMMENTS:
A	SUBMITTALS SENT	ASR		--/--/--	

**QTY: N/A**



**INTER DYNE  
SYSTEMS, INC**  
676 E. Ellis Rd., Norton Shores, MI 49441  
Phone: 231-799-8760 Fax: 231-799-9690

**PART NO.**  
**SBC3224-RH-ADA**

MATERIAL: 18GA FINISH: 304 #4