



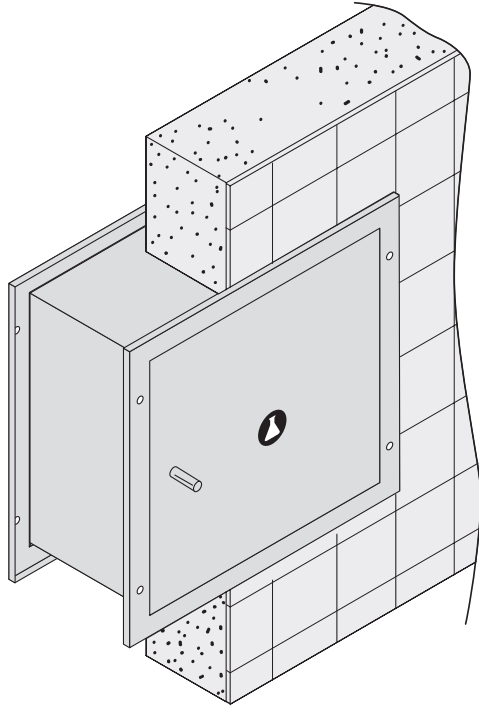
INTER DYNE
SYSTEMS

Inter Dyne Systems, Inc.
676 Ellis Road
Norton Shores, MI 49441
Ph: 877.4ss.labs
www.interdynesystems.com

Nar-Lock Narcotic Cabinet

Two Door Pass Thru Specimen Cabinet

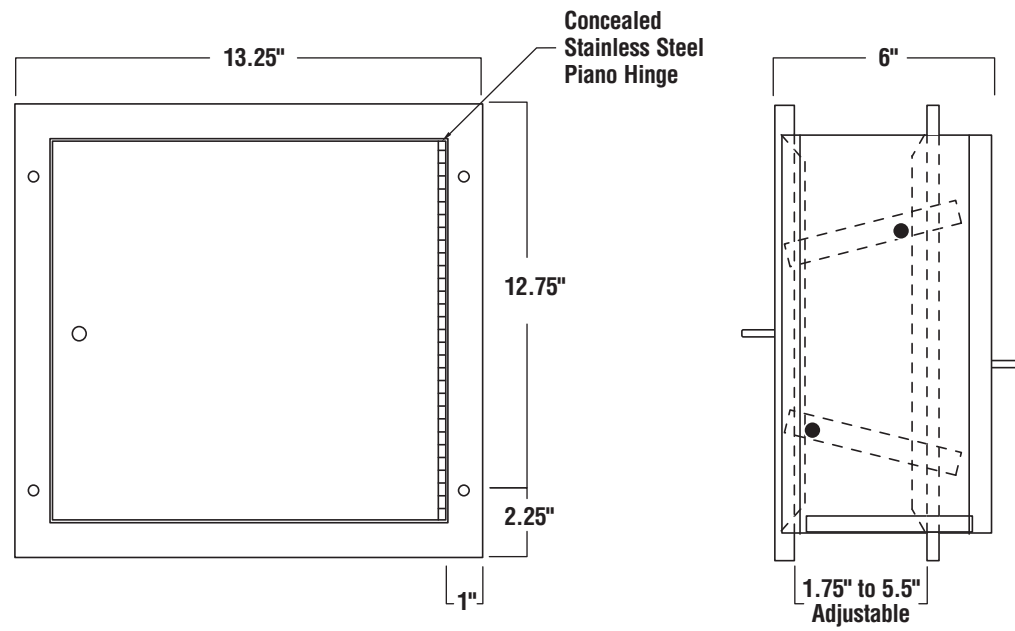
Model# 8154



Features

- 12 3/4"h x 13 1/4"w x 6"d
- Wall opening 12" x 11 1/4"
- Mounts in wall from 1 3/4" up to 5 1/4" thick
- Constructed of 22 gauge, type 304 stainless steel, polished to a #4 finish

Product Dimensions



FRONT VIEW

SIDE VIEW: SECTION