

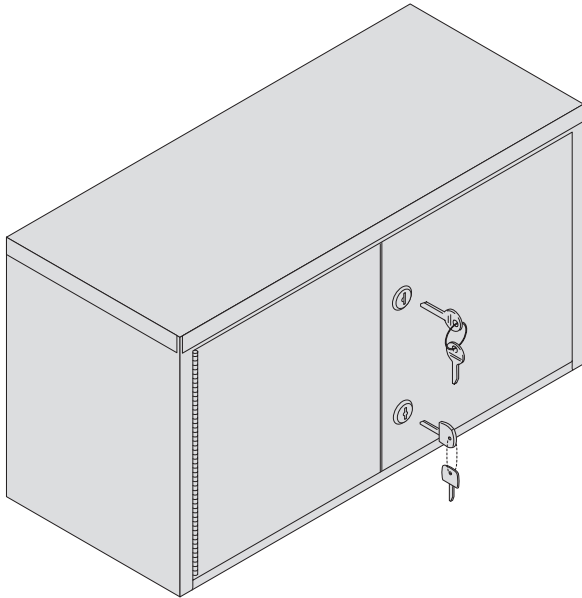


Inter Dyne Systems, Inc.
676 Ellis Road
Norton Shores, MI 49441
Ph: 877.4ss.labs
www.interdynesystems.com

Nar-Lock Narcotic Cabinet

Double Key Lock Cabinet

Model# NL-2K-D



Features

- 21"w x 12"h x 10"d
- Double key lock, keyed separately
- Constructed of 20 gauge, type 304 stainless steel, polished to a #4 finish

Product Dimensions

