

Stainless Steel Cabinets

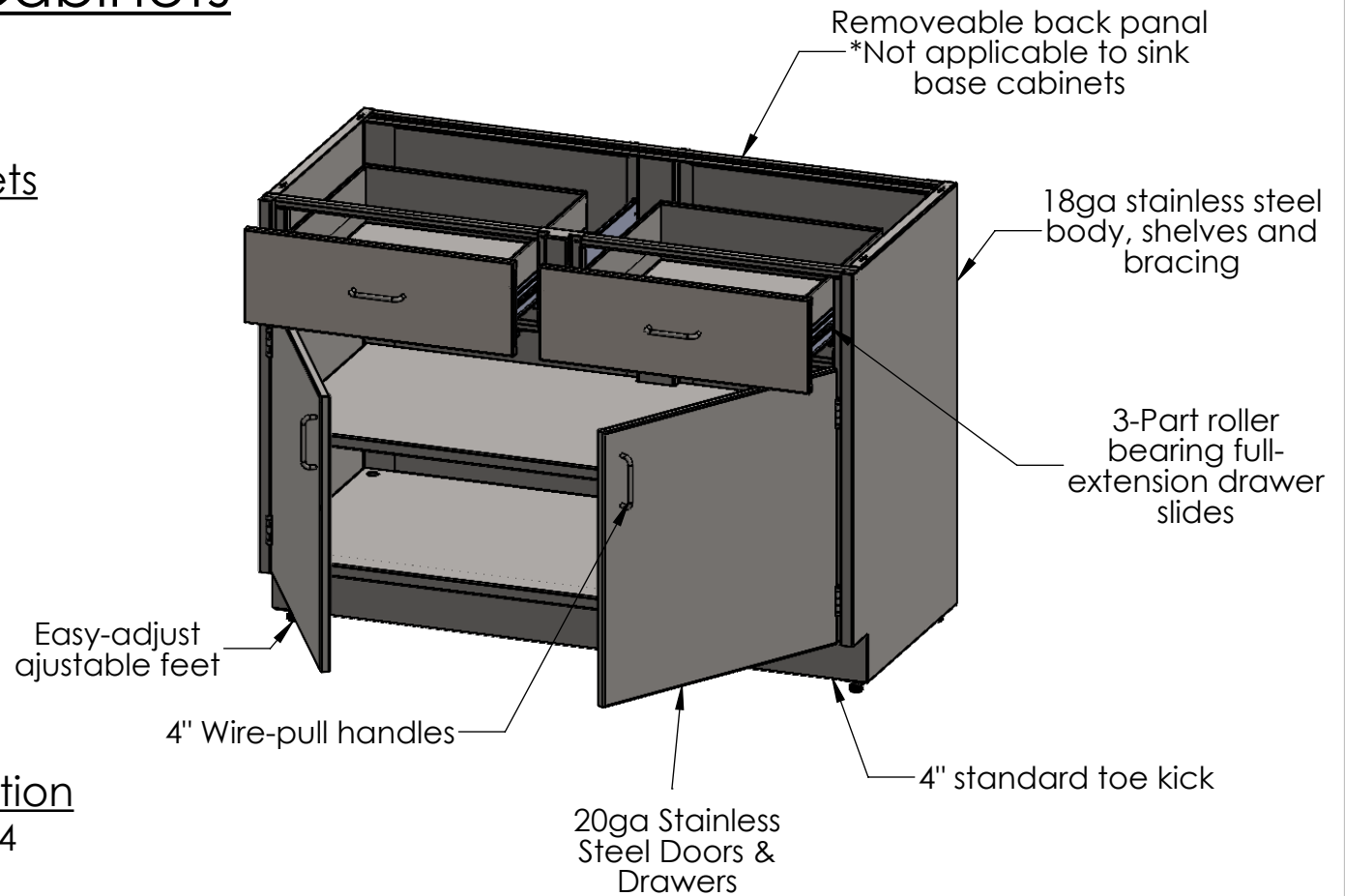
Made-To-Order Cabinets

Options Include / not limited to:

- Door(s)
- Optional Glass Inserts
- Optional Locks
- Drawer(s)
- Optional Locks
- Open Face
- Sink-Base Cabinet

Stainless Steel Construction

-304 Stainless Steel W/ No. 4 Finish



UNLESS OTHERWISE SPECIFIED:

DIMENSIONS ARE IN INCHES
TOLERANCES:
ANGULAR ±2.50°
ONE-PLACE ±0.5
TWO-PLACE ±0.13

PROPRIETARY AND CONFIDENTIAL

THE INFORMATION CONTAINED IN THIS DRAWING IS THE SOLE PROPERTY OF INTER DYNE SYSTEMS. ANY REPRODUCTION IN PART OR AS A WHOLE WITHOUT THE WRITTEN PERMISSION OF INTER DYNE SYSTEMS IS PROHIBITED.

REV.	REVISION DESCRIPTION	DRAWN	CHECKED	DATE	COMMENTS:
A	STANDARD PRINT CREATED	JJF		01/20/21	



**INTER DYNE
SYSTEMS, INC**

676 E. Ellis Rd., Norton Shores, MI 49441
Phone: 231-799-8760 Fax: 231-799-9690

PART NO.

CABINET SPEC SHEET

MATERIAL: **18GA**

FINISH: **304 #4**