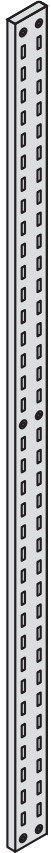


Stainless Steel Wall Standards

Wall Double Slot Standard



Features

- All stainless steel construction
- Made from 14 gauge material
- Type 304 stainless steel, #4 finish
- Counter sunk #8 screw installation holes
- Folded edge top and bottom

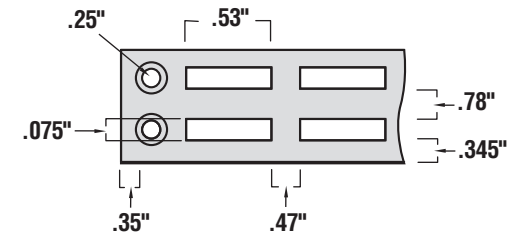
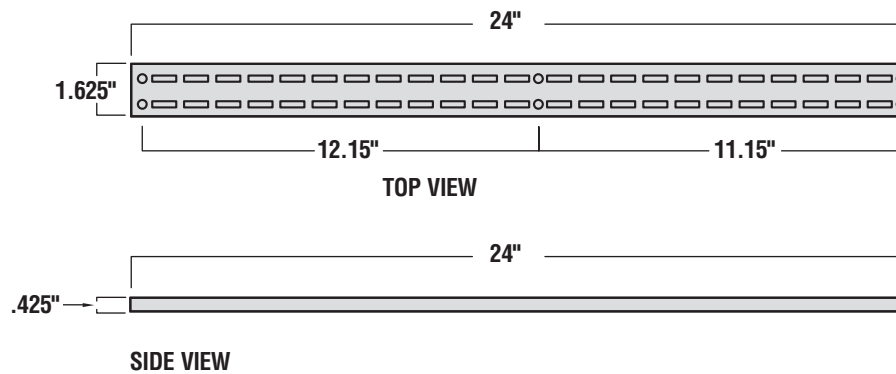
Model Number

SSD-2FT
SSD-3FT
SSD-4FT
SSD-6FT

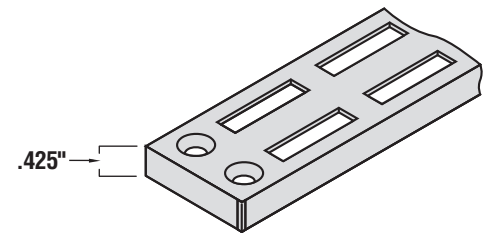
Dimensions

2 ft. x 1 5/8"w
3 ft. x 1 5/8"w
4 ft. x 1 5/8"w
6 ft. x 1 5/8"w

Product Dimensions



SLOT - ENLARGED VIEW



END VIEW - ENLARGED