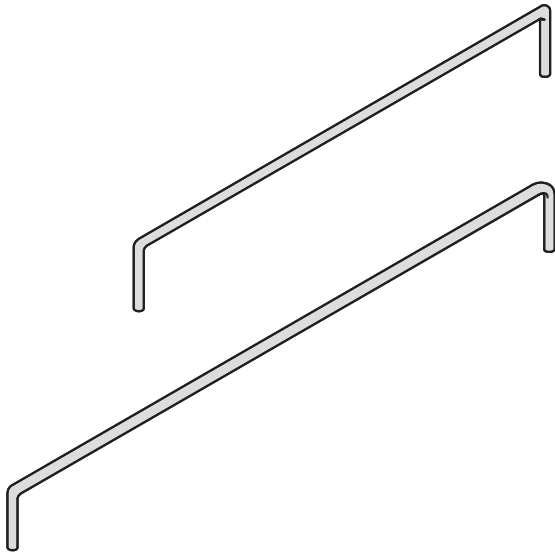




INTER DYNE
SYSTEMS

Inter Dyne Systems, Inc.
676 Ellis Road
Norton Shores, MI 49441
Ph: 877.4ss.labs
www.interdynesystems.com

Seismic Lip



Features

- All stainless steel construction
- Made from 18 gauge material
- 11" and 14" long 2" high
- Lip from 1/4" type 304 stainless steel rod, #4 finish

Model Number

SL-11
SL-14

Dimensions

11"w x 2"h 1/4"diam.
14"w x 2"h 1/4"diam.

Product Dimensions



SIDE VIEW



SIDE VIEW