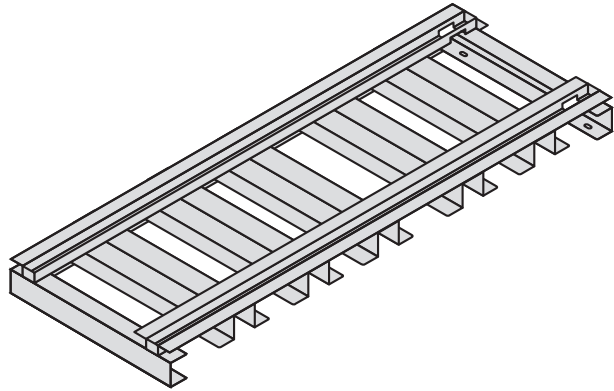




Inter Dyne Systems, Inc.
676 Ellis Road
Norton Shores, MI 49441
Ph: 877.4ss.labs
www.interdynesystems.com

Stainless Steel Wall Shelves

XP Rack



Features

- All stainless steel construction
- Made from 18 gauge material
- Type 304 stainless steel, #4 finish

Model Number

XP-18
XP-20
XP-24
XP-30
XP-32
XP-36
XP-48

Dimensions

18"
20"
24"
30"
32"
36"
48"

Number Of Brackets

5
6
6
7
7
8
12

Product Compatibility

The XP Rack can be added to any existing acrylic, epoxy or wood shelving.