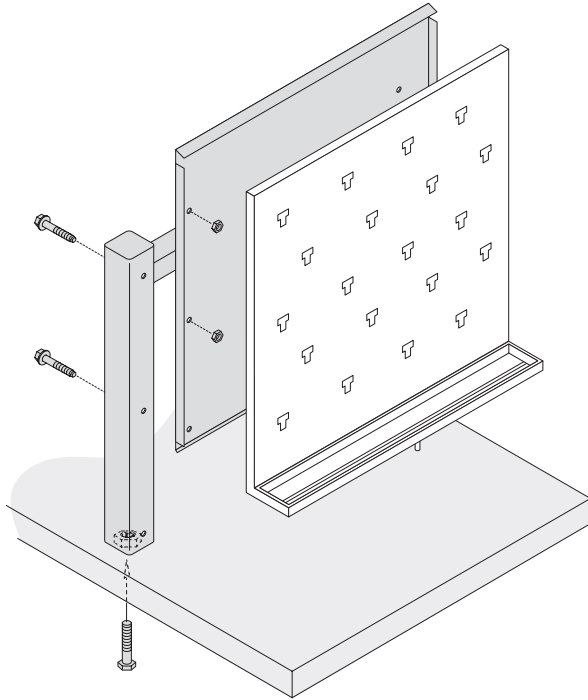


## Pegboard mounting assemblies

## Raised top assembly



<i>Features</i>	<i>Model number</i>	<i>Dimension</i>
<ul style="list-style-type: none"><li>• Finished stainless steel</li><li>• Mounts to worksurface or table top</li><li>* Finished back required, sold separately</li></ul>	RTA	1" x 23"