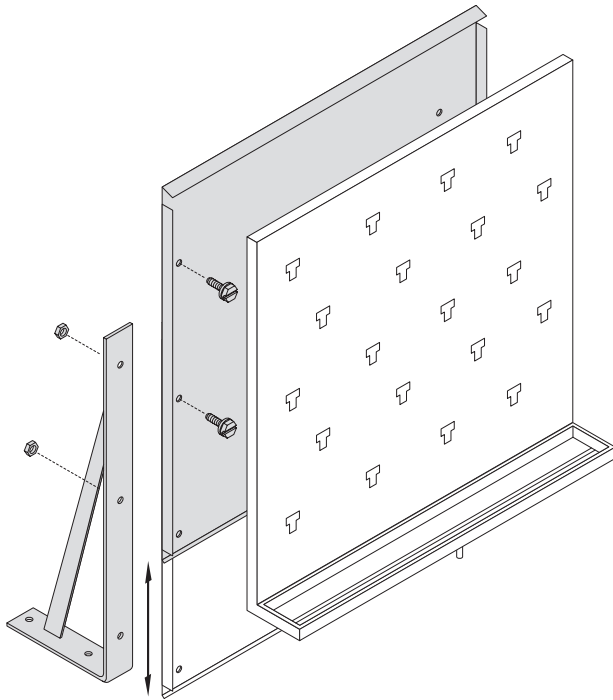


Pegboard mounting assemblies

Free standing assembly brackets



<i>Features</i>	<i>Model number</i>	<i>Dimension</i>
<ul style="list-style-type: none">• Black painted steel• Bolts to worksurface or table top• Stainless steel hardware included* Finished back panel required, sold separately	FSA	8" x 23"